



ePark T-2C2 Gen4

ePark T-2C2 Gen4, Car park boxes

Code: V27622.

- > Communications: Ethernet | WiFi
- > Output type: 400 Vac - 32 A - 22 kW
- > Connector type: Type 2 cable
- > Grid type: Three-phase
- > Charge mode: 3
- > No. Sockets: 2
- > Earth leakage protection: 6 mA CC

Description

With a modern and minimalist design, the **ePark** range is the best smart charging option for multi-user car parks in residential blocks, work places and car parks. This range has several dual-charger models that allow simultaneous charging of two vehicles with both single-phase and three-phase lines, making it the ideal solution for installing charging stations in multi-user car parks and adapting the facilities to the new needs of electric cars.

The minimalist interface, consisting of a display and LEDs to indicate the charging status, provides an intuitive and friendly user experience. This range is compatible with our dynamic power management system (DLM) to regulate the charge without exceeding the contracted power. The device also has an OCPP communications protocol for easy integration with management platforms.

Application

The **ePark** range is designed to manage multiple users in covered car parks who need to recharge their electric vehicles, such as parking areas in residential blocks or condominiums, work places and public car parks.



ePark T-2C2 Gen4

Electric vehicle charging device

Code: V27622.

Specifications

AC power supply

Input intensity	64 A
Frequency	50/60 Hz
Type of network	3F + N + PE
Nominal voltage	400 V ~ (± 10%)

Electrical characteristics

Charging mode	Mode 3 (IEC 61851-1)
No. of charges	2
Voltage	400 V ~ (± 10 %)

Mechanical characteristics

Size (mm) width x height x depth	335 x 315 x 179.7 (mm)
Envelope	PC + GF 10%
Fastening	Wall fixing with 3 screws
Weight (kg)	10,7

Environmental characteristics

Protection class	IP 54 / IK 10
Relative humidity (without condensation)	5 ... 95 %
Storage temperature	-20 ... +60 °C
Working temperature	-5 ... +50 °C

Communication Network

Protocol	OCPP 1.6J / 2.0 HW Ready
Technology / Interface	Ethernet 10/100 Base TX (TCP/IP)

User interface

RFID (Radio-Frequency Identification)	ISO / IEC 14443 A/B / MIFARE Classic / DESFire EV1 / ISO 18092 / ECMA - 340
LED	RGB colour charge indicator
Display type	3.5" screen

Standards

Standards	IEC 61851-1:2017; IEC 61851-21-2:2018; IEC 62196-1; IEC 62196-2; Directives: 2014/53/EU, 2014/30/EU, 2014/35/EU; RoHS 2011/65/EU compliant; 4G Modem complies with CE/RED
-----------	---

Features / performance

Energy measurement	MID Class B meter, EN 50470-3
Optional	



ePark T-2C2 Gen4

Electric vehicle charging device

Code: V27622.

- 4G / GPRS Modem
- Low temperature kit (-30 °C)

Protection

Element	Built-in residual current protection 6 mA DC per socket.
---------	--

Output 1

Maximum current	32 A
Maximum power	22 kW
Voltage range	400 Vca
Connector type	Cable Tipo 2 (Longitud del cable 5m)
Network type	Three-phase (CA)

Output 2

Maximum current	32 A
Maximum power	22 kW
Voltage range	400 Vca
Connector type	Cable Type 2 (Cable length 5m)
Network type	Trifásica (CA)

Wireless communication

Band	2,4 GHz
Technology / Type	Wi-Fi

ePark

Intelligent charging boxes

CODE	TYPE	Output type	No. Sockets	Connector type	Grid type	Communications	Earth leakage protection	Charge mode
V27540.	ePark M-S2 Gen4	230 Vac- 32 A - 7,4 kW	1	Type 2 socket	Single-phase	Ethernet WiFi	6 mA CC	3
V27520.	ePark M-C2 Gen4	230 Vac- 32 A - 7,4 kW	1	Type 2 cable	Single-phase	Ethernet WiFi	6 mA CC	3
V27522.	ePark M-2C2 Gen4	230 Vac- 32 A - 7,4 kW	2	Type 2 cable	Single-phase	Ethernet WiFi	6 mA CC	3
V27544.	ePark M-2S2 Gen4	230 Vac- 32 A - 7,4 kW	2	Type 2 socket	Single-phase	Ethernet WiFi	6 mA CC	
V27640.	ePark T-S2 Gen4	400 Vac - 32 A - 22 kW	1	Type 2 socket	Three-phase	Ethernet WiFi	6 mA CC	3
V27620.	ePark T-C2 Gen4	400 Vac - 32 A - 22 kW	1	Type 2 cable	Three-phase	Ethernet WiFi	6 mA CC	
V27622.	ePark T-2C2 Gen4	400 Vac - 32 A - 22 kW	2	Type 2 cable	Three-phase	Ethernet WiFi	6 mA CC	3
V27644.	ePark T-2S2 Gen4	400 Vac - 32 A - 22 kW	2	Type 2 cable	Three-phase	Ethernet WiFi	6 mA CC	3

Integrated MID-certified energy measurement, RFID reader for authentication and charge activation - ISO 14443 A/B, data storage, Ethernet communications, 4G communications (optional), OCPP 1.6J / 2.0 HW communications protocol, weight: 4 kg, PC + GF 10% - IP54 - IK10 casing, dimensions 200x335x315 mm, 5-m cable length, cable holder included (depending on model).

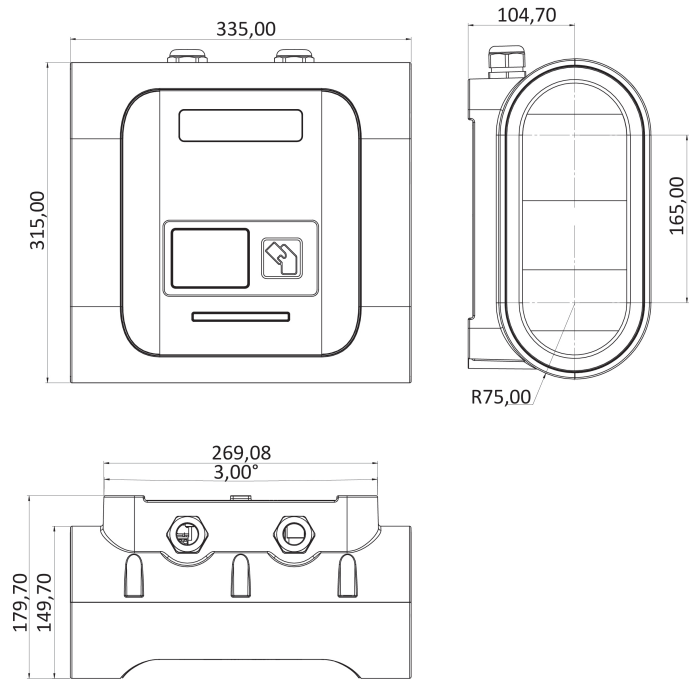


ePark T-2C2 Gen4

Electric vehicle charging device

Code: V27622.

Dimensions



Connections

