



## eHome 5 T2C32 TRI N

eHome 5 T2C32 TRI N, Car park wall box

Code: V25560.

- > Communications: Ethernet | Wi-Fi
- > Output type: 400 Vac - 32 A - 22 kW
- > Input current: 32A
- > Connector type: Type 2 cable
- > Grid type: Three-phase
- > Charge mode: 3
- > No. Sockets: 1
- > Earth leakage protection: 6 mA DC
- > Finished: Black

### Description

The eHome 5 range has been specially designed for private car parks, offering intelligent energy management, integration with solar panels for more sustainable charging, and an advanced APP that allows full remote control. It also stands out for offering the best value for money on the market. The eHome 5 is a high-quality product, compatible with all brands of electric vehicles in Mode 3 through a Type 2 connection, providing a comfortable and efficient charging experience. Thanks to its ability to regulate the power supplied to the vehicle according to energy availability, the eHome 5 charger is an ideal solution for the domestic environment.

### Application

It is specifically designed for domestic use, offering a versatile, configurable charging solution that easily integrates with photovoltaic installations. It is quick to install and has a compact and elegant design.



## eHome 5 T2C32 TRI N

Home charger

Code: V25560.

### Specifications

#### AC power supply

Input intensity	32A
Frequency	50 / 60 Hz
Type of network	3P + N + PE
Nominal voltage	400 V ~ (± 10 %)

#### Electrical characteristics

Charging mode	Mode 3
No. of charges	1

#### Mechanical characteristics

Size (mm) width x height x depth	180 x 315 x 115 (mm)
Envelope	Self-extinguishing ABS-PCVO plastic
Fastening	Wall mounting, 3-point wall anchorage
Weight (kg)	3,4

#### Environmental characteristics

Protection class	IP 55 / IK 10
Relative humidity (without condensation)	5% ... 95%
Storage temperature	-40 ... +60 °C
Working temperature	-30 ... +50 °C

#### Standards

Electrical safety, Maximum height (m)	3000
Standards	IEC 61851-1, IEC 61851-21-2, IEC 62196-1, IEC62196-2, EN 18031-1, Directives: 2014/35/UE, 2014/53/UE , 2014/30/UE, Compliant with RoHS 2011/65/EU

#### User interface

RFID (Radio-Frequency Identification)	ISO/IEC 14443 A/B, Felica, ISO/IEC 15693
LED	Charge indicator

#### Features / performance

Optional	- Meter for dynamic consumption adjustment and solar integration.
----------	---

#### Output 1

Maximum current	32 A
Maximum power	22 kW
Voltage range	400 Vac
Connector type	Cable Tipo 2 (Longitud del cable 5m)



## eHome 5 T2C32 TRI N

Home charger

Code: V25560.

Network type

Three-phase (AC)

### eHome 5

Home charging stations

CODE	TYPE	Finished	No. Sockets	Output type	Connector type	Grid type	Charge mode	Communications
V25530.	eHome 5 T2C32 N	Black	1	230 Vac- 32 A - 7,4 kW	Type 2 cable	Single-phase	3	Ethernet   Wi-Fi
V25573.	eHome 5 T2S32 M	Mix	1	230 Vac- 32 A - 7,4 kW	Type 2 socket	Single-phase	3	Ethernet   Wi-Fi
V25570.	eHome 5 T2S32 N	Black	1	230 Vac- 32 A - 7,4 kW	Type 2 socket	Single-phase	3	Ethernet   Wi-Fi
V25532.	eHome 5 T2C32 B	White	1	230 Vac- 32 A - 7,4 kW	Type 2 cable	Single-phase	3	Ethernet   Wi-Fi
V25533.	eHome 5 T2C32 M	Mix	1	230 Vac- 32 A - 7,4 kW	Type 2 cable	Single-phase	3	Ethernet   Wi-Fi
V25540.	eHome 5 T2S32 TRI N	Black	1	400 Vac - 32 A - 22 kW	Type 2 socket	Three-phase	3	Ethernet   Wi-Fi
V25543.	eHome 5 T2S32 TRI M	Mix	1	400 Vac - 32 A - 22 kW	Type 2 socket	Three-phase	3	Ethernet   Wi-Fi
V25560.	eHome 5 T2C32 TRI N	Black	1	400 Vac - 32 A - 22 kW	Type 2 cable	Three-phase	3	Ethernet   Wi-Fi
V25562.	eHome 5 T2C32 TRI B	White	1	400 Vac - 32 A - 22 kW	Type 2 cable	Three-phase	3	Ethernet   Wi-Fi
V25563.	eHome 5 T2C32 TRI M	Mix	1	400 Vac - 32 A - 22 kW	Type 2 cable	Three-phase	3	Ethernet   Wi-Fi

End-of-charge indicator light. Weight approx. 4 kg, Self-extinguishing ABS-PCV0 plastic enclosure - IP54 - IK10, Dimensions 315x180x115 mm. Cable length 5 m and cable holder included (depending on model). Single-phase models include a meter for dynamic power management. For dynamic power management and solar integration, it is necessary to use the energy meter specified in this tariff, choosing according to the type of installation: single-phase or three-phase. Three-phase models require an energy meter for dynamic power management.

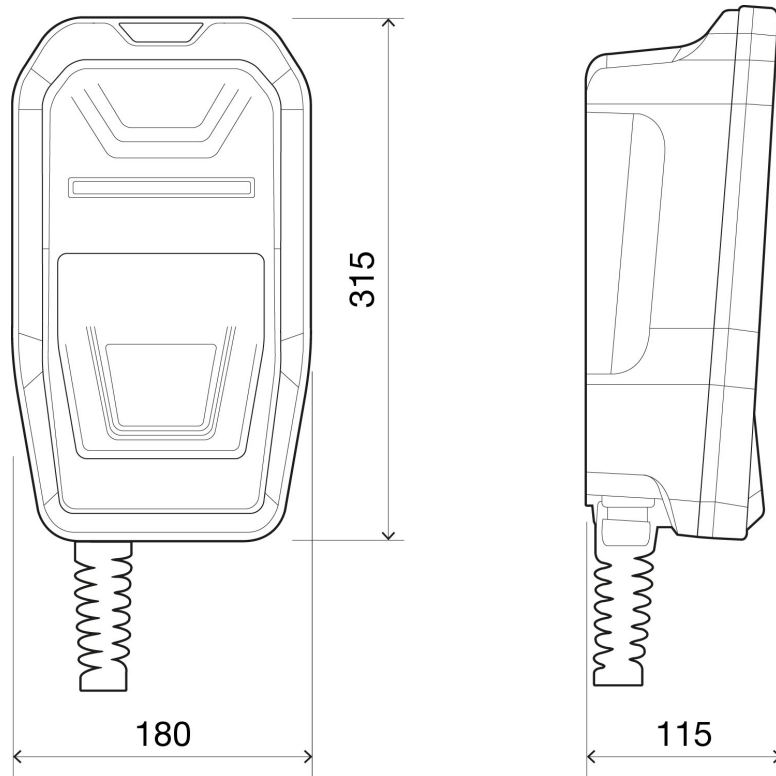


## eHome 5 T2C32 TRI N

Home charger

Code: V25560.

### Dimensions



### Connections

Trifásico/Three Phase: 400 V~

Si es monofásico/If single Phase: L1+N

