
eHome 5 T2C32 N

eHome 5 T2C32 N, Car park wall box

Code: V25530.

- > **Finished: Black**
- > Communications: Ethernet | Wi-Fi
- > Output type: 230 Vac- 32 A - 7,4 kW
- > Input current: 32A
- > Connector type: Type 2 cable
- > Grid type: Single-phase
- > Charge mode: 3
- > No. Sockets: 1
- > Earth leakage protection: 6 mA DC

Description

The eHome 5 range has been specially designed for private car parks, offering intelligent energy management, integration with solar panels for more sustainable charging, and an advanced APP that allows full remote control. It also stands out for offering the best value for money on the market. The eHome 5 is a high-quality product, compatible with all brands of electric vehicles in Mode 3 through a Type 2 connection, providing a comfortable and efficient charging experience. Thanks to its ability to regulate the power supplied to the vehicle according to energy availability, the eHome 5 charger is an ideal solution for the domestic environment.

Application

It is specifically designed for domestic use, offering a versatile, configurable charging solution that easily integrates with photovoltaic installations. It is quick to install and has a compact and elegant design.



eHome 5 T2C32 N

Home charger

Code: V25530.

Specifications

AC power supply

Input intensity	32A
Frequency	50 / 60 Hz
Type of network	1P + N + PE
Nominal voltage	230 V ~ (± 10 %)

Electrical characteristics

Charging mode	Mode 3
No. of charges	1

Mechanical characteristics

Size (mm) width x height x depth	180 x 315 x 115 (mm)
Envelope	Self-extinguishing ABS-PCV0 plastic
Fastening	Wall mounting, 3-point wall anchorage
Weight (kg)	3,39

Environmental characteristics

Protection class	IP 54 / IK 10
Relative humidity (without condensation)	5% ... 95%
Storage temperature	-40°C ... +60°C
Working temperature	-30°C ... +50°C

User interface

RFID (Radio-Frequency Identification)	ISO/IEC 14443 A/B, Felica, ISO/IEC 15693
LED	Charge indicator

Standards

Standards	IEC 61851-1, IEC 61851-21-2, IEC 62196-1, IEC62196-2, Directives: 2014/35/UE, 2014/53/UE , 2014/30/UE, Compliant with RoHS 2011/65/EU
-----------	---

Features / performance

Optional	- Meter for dynamic consumption adjustment and solar integration.
----------	---

Output 1

Maximum current	32 A
Maximum power	7,4 kW
Voltage range	230 Vca
Connector type	Type 2 cable (Cable length 5m)
Network type	Single-phase (AC)



eHome 5 T2C32 N

Home charger

Code: V25530.

eHome 5

Home charging stations

CODE	TYPE	Finished	No. Sockets	Output type	Connector type	Grid type	Charge mode	Communications
V25530.	eHome 5 T2C32 N	Black	1	230 Vac- 32 A - 7,4 kW	Type 2 cable	Single-phase	3	Ethernet Wi-Fi
V25573.	eHome 5 T2S32 M	Mix	1	230 Vac- 32 A - 7,4 kW	Type 2 socket	Single-phase	3	Ethernet Wi-Fi
V25570.	eHome 5 T2S32 N	Black	1	230 Vac- 32 A - 7,4 kW	Type 2 socket	Single-phase	3	Ethernet Wi-Fi
V25532.	eHome 5 T2C32 B	White	1	230 Vac- 32 A - 7,4 kW	Type 2 cable	Single-phase	3	Ethernet Wi-Fi
V25533.	eHome 5 T2C32 M	Mix	1	230 Vac- 32 A - 7,4 kW	Type 2 cable	Single-phase	3	Ethernet Wi-Fi
V25540.	eHome 5 T2S32 TRI N	Black	1	400 Vac - 32 A - 22 kW	Type 2 socket	Three-phase	3	Ethernet Wi-Fi
V25543.	eHome 5 T2S32 TRI M	Mix	1	400 Vac - 32 A - 22 kW	Type 2 socket	Three-phase	3	Ethernet Wi-Fi
V25560.	eHome 5 T2C32 TRI N	Black	1	400 Vac - 32 A - 22 kW	Type 2 cable	Three-phase	3	Ethernet Wi-Fi
V25562.	eHome 5 T2C32 TRI B	White	1	400 Vac - 32 A - 22 kW	Type 2 cable	Three-phase	3	Ethernet Wi-Fi
V25563.	eHome 5 T2C32 TRI M	Mix	1	400 Vac - 32 A - 22 kW	Type 2 cable	Three-phase	3	Ethernet Wi-Fi

End-of-charge light, Compatible with CirBEON-63 sensor, Weight: 3 kg, ABS-PCV0 self-extinguishing plastic housing - IP54 - IK10, Dimensions 315x180x115 mm. 5-m cable length, cable holder included (depending on model).

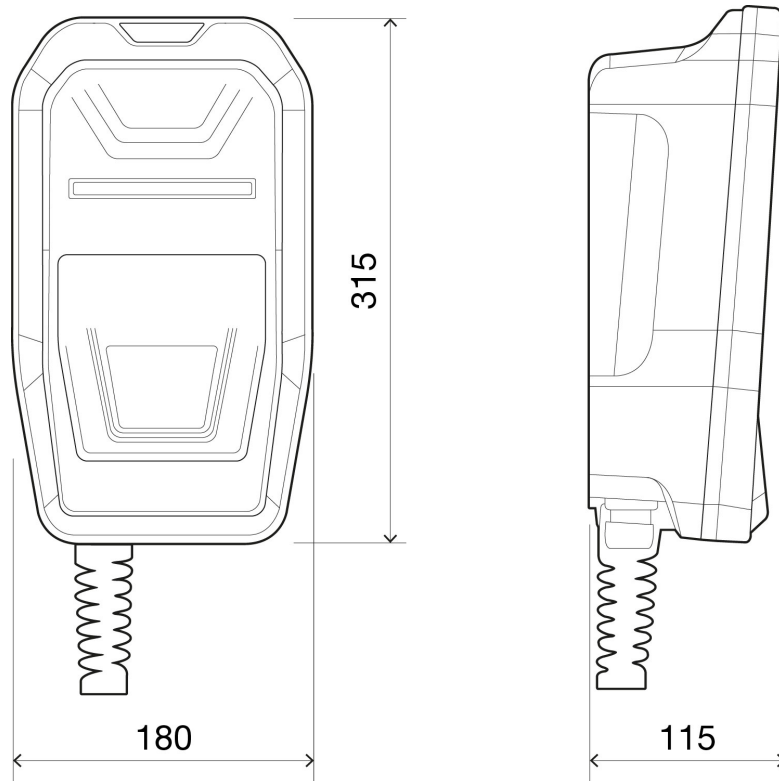


eHome 5 T2C32 N

Home charger

Code: V25530.

Dimensions



Connections

Monofásico/Single Phase: 230 V~

