



Kit eHome Solar T2C32 SC

eHome Solar T2C32 SC, Car park wall box

Code: V254K1.

- > Communications: RS-485
- > Output type: 230 Vac - 32 A - 7,4 kW
- > Input current: 32 A
- > Connector type: Type 2 cable
- > Grid type: Single-phase
- > Charge mode: 3
- > No. Sockets: 1

Description

The **eHome Solar kit** is a single-phase charging point for electric vehicles, supplying up to 7.4 kW and designed for home settings.

This solution allows users to fully utilize the excess solar energy of the self-consumption system installed to charge any brand of electric vehicle on the market in Mode 3, using a Type 2 connector.

The kit **includes Genion One**, a home manager that adjusts the electric vehicle's charging power based on the power available in the installation and that generated by solar panels. It also features an automatic energy balance system, which allows the photovoltaic installation and the charging points to be operated independently.

This solution offers added comfort, savings, peace of mind and control to users of electric vehicles who want to have a charging point and solar panels in their home.

It includes a web application to monitor and control the installation via Wi-Fi from any mobile device. Thanks to the installation wizard, up to two **eHome Solar** electric vehicle chargers can be automatically set up in the home. In addition, it includes three split-core transformers for easier installation, since it measures the consumption in the home, the photovoltaic generation and the consumption of the electric vehicles connected.

The **eHome Solar kit** is ideal for home environments, designed to be easy to install while offering a high value for the money, which makes electric vehicle charging more efficient.

Application

The **eHome Solar Kit** is a solution for home environments that have photovoltaic self-consumption systems, where owners wish to install up to two simultaneous charging points.



Kit eHome Solar T2C32 SC

Home recharging box with photovoltaic management

Code: V254K1.

Specifications

AC power supply

Input intensity	32A
Frequency	50 / 60 Hz
Type of network	1Ph + N + GND
Nominal voltage	230 V ~ (± 10 %)

Electrical characteristics

Cable: Connector type	Type 2 cable
Max. output intensity (A)	32
Charging mode	Mode 3
No. of charges	1
Max. output power (kW)	7,4
Voltage	230 V ~ (± 10 %)

Mechanical characteristics

Size (mm) width x height x depth	180 x 315 x 115 (mm)
Envelope	Self-extinguishing ABS-PCV0 plastic
Fastening	Wall mounting, 3-point wall anchorage
Weight (kg)	4

Environmental characteristics

Protection class	IP 54 / IK 10 (IK 08 beacon)
Relative humidity (without condensation)	5 ... 95%
Working temperature	-30°C ... +50°C

Features / performance

Additional	Intelligent solar recharge manager (Genion One)
Components	Overtemperature protection

User interface

LED	Equipment status indicator
-----	----------------------------

Standards

Standards	IEC 61851-1, IEC 61851-21-2, IEC 62196-1, IEC 62196-2, Directiva 2014/35/UE, LVD; 2014/30/UE, EMC
-----------	---

Serial communication

Technology / Type	RS-485
-------------------	--------



Kit eHome Solar T2C32 SC

Home recharging box with photovoltaic management

Code: V254K1.

eHome Solar

Domestic charging boxes using solar surpluses

CODE	TYPE	Output type	Connector type	Grid type	Communications
V254K1.	Kit eHome Solar T2C32 SC	230 Vac - 32 A - 7,4 kW	Type 2 cable	Single-phase	RS-485

End-of-charge light. Includes Genion One. Weight: 4 kg. ABS-PCVO self-extinguishing plastic housing - IP54 - IK10, Dimensions 315x180x115 mm. 5-m cable length.

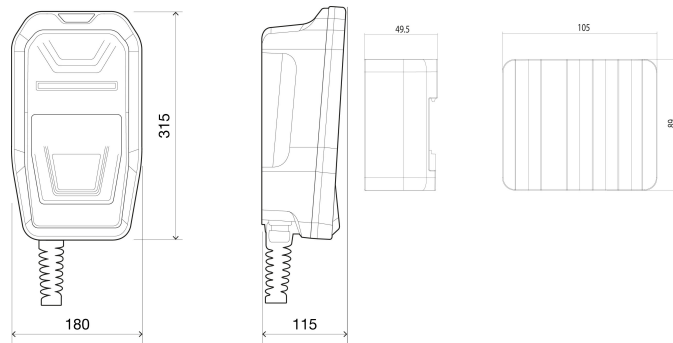


Kit eHome Solar T2C32 SC

Home recharging box with photovoltaic management

Code: V254K1.

Dimensions



Connections

Compatible with tu inversor solar
Compatible with your solar inverter

