



eHome T1C32-AM

eHome T1C32-AM

Code: V25014. DESCATALOGADO

- > Car park wall box
- > Output type: 230 V - 32 A - 7,4 kW
- > Connector type: Type 1 cable
- > Charge mode: 3
- > No. Sockets: 1
- > Earth leakage protection: Type A
- > circuit breaker protection: 40A

Description

Designed to be easily installed in both indoor and outdoor private parking spaces, and to be distributed to electric vehicle manufacturers. The eHome range has been optimised to offer the best cost/quality ratio on the market. As a result, we offer a high quality product that can comfortably charge all the electrical vehicle brands on the market in Mode 3 with a Type 1 or Type 2 connector.

Thanks to its compatibility with the **CirBEON-63** device, which manages the current supplied to the vehicle based to the power available, the **eHome** charger is ideal for the domestic sector.

Application

Its application focuses on home use, since it is easy to install and comes in a small size.



eHome T1C32-AM

Basic charging wallbox

Code: V25014.

Specifications

Mechanical characteristics

| | |
|----------------------------------|---------------------------------------|
| Size (mm) width x height x depth | 180 x 315 x 115 (mm) |
| Envelope | Self-extinguishing ABS-PCV0 plastic |
| Fastening | Wall mounting, 3-point wall anchorage |
| Weight (kg) | 4 |

Environmental characteristics

| | |
|--|-----------------|
| Protection class | IP 54 / IK 10 |
| Relative humidity (without condensation) | 5% ... 95% |
| Storage temperature | -40°C ... +60°C |
| Working temperature | -5°C ... +45°C |

Features / performance

| | |
|-----------------------------------|---------------------------|
| Heating and air conditioning unit | -30 ... +45 °C (Optional) |
|-----------------------------------|---------------------------|

eHome

Home charging stations

| CODE | TYPE | Output type | Connector type | Grid type |
|---------|-----------------|------------------------|----------------|--------------|
| V25030. | eHome T2C32 | 230 Vac- 32 A - 7,4 kW | Type 2 cable | Single-phase |
| V25070. | eHome T2S32 | 230 Vac- 32 A - 7,4 kW | Type 2 socket | Single-phase |
| V25080. | eHome T2S16 TRI | 400 Vac - 16 A - 11 kW | Type 2 socket | Three-phase |
| V25090. | eHome T2C16 TRI | 400 Vac - 16 A - 11 kW | Type 2 cable | Three-phase |

End-of-charge light, Compatible with CirBEON-63 sensor, Weight: 3 kg, ABS-PVC0 self-extinguishing plastic housing - IP54 - IK10, Dimensions 315x180x115 mm. 5-m cable length, cable holder included (depending on model).

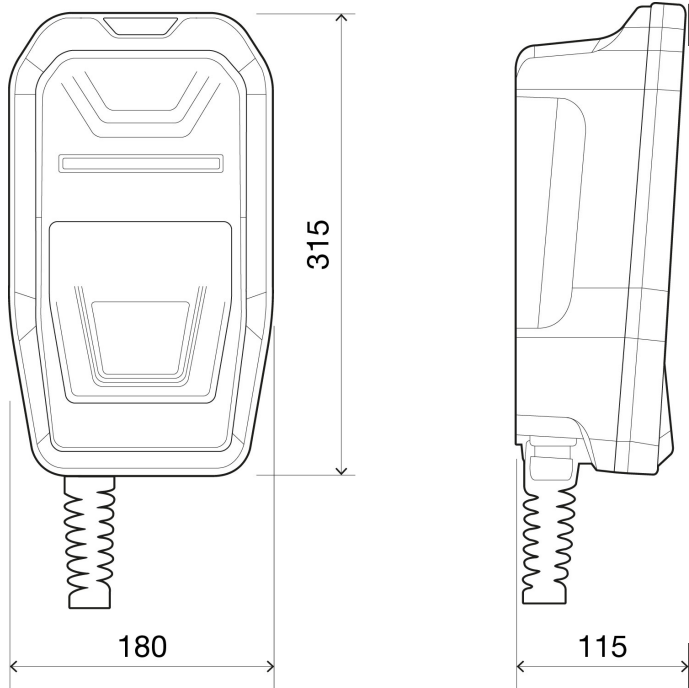


eHome T1C32-AM

Basic charging wallbox

Code: V25014.

Dimensions



Connections

