



## computer C6 Wi-Fi

---

Computer C6 Wi-Fi, Power factor regulator

Code: R14831.

- > Alarm relay: Yes
- > Measurement Range (V): 400
- > Power supply (Vac): 400 Vac
- > Nr steps: 6
- > Input current: ... / 5A
- > Switching unit: Contactor

### Description

---

The **Computer C Wi-Fi** series of regulators is designed for simple and effective regulation. Its high-contrast display can show up to 27 electrical parameters.

Its features are key to having a robust and reliable system, as well as to obtaining the necessary warnings and alarms for its proper monitoring and control:

- Up to 12 fully configurable alarms.
- Plug & Play.
- For easier preventive maintenance

### Application

---

The **Computer C Wi-Fi** is the ideal regulator to compensate balanced installations, where ease of programming, robustness, precision, and maximum compensation control are required. Its simple and intuitive programming system facilitates user installation and maintenance.



## computer C6 Wi-Fi

Fast power factor regulator

Code: R14831.

### Specifications

#### AC power supply

Installation category	CAT III 300 V
Consumption	13 VA
Frequency	50 ... 60 Hz
Nominal voltage	400 V ~ ( $\pm 10$ %)

#### Mechanical characteristics

Size (mm) width x height x depth	144 x 144 x 54.85 (mm)
Envelope	Plastic V0 self-extinguishing
Fastening	Panel
Weight (kg)	0,43

#### Environmental characteristics

Protection class	IP 30 / Front Panel: IP 40 IK 08
Relative humidity (without condensation)	5 ... 95 %
Storage temperature	-20 ... +70 °C
Working temperature	-20 ... +60 °C

#### Current measurement circuit

Nominal current (In)	... / 5 A
Phase current measuring range	0.05 ... 5A
Permanent overload	+ 20%
Connection	Connect preferably to phase L1

#### Standards

Electrical safety, Maximum height (m)	2000
Electrical safety, Contamination level/class	Pollution resistance 2
Standards	IEC 61010, IEC 61000-2-30, IEC 61000-6-4, IEC 61000-6-2

#### Electrical safety

Insulation	Double-insulated electric shock protection class II (IEC 61010-1)
------------	---

#### User interface

Resolution of the display	3 digits
Keyboard	3 keys

#### Digital relay outputs

Quantity	6 + 1 (Alarm)
Maximum current	1 A~



## computer C6 Wi-Fi

Fast power factor regulator

Code: R14831.

Maximum open contact voltage	250 V~
Electrical life (at maximum load)	1x10 <sup>5</sup> cycles
Mechanical life	1x10 <sup>7</sup> cycles
Maximum switching capacity	250 W

### Measurement accuracy

Phase angle $\varphi$	2 % $\pm$ 1 digit
Phase current measurement	1%
Phase voltage measurement	1%

### computer C Wi-Fi

Power factor controller with communications

CODE	TYPE	Switching unit	Nr steps	Input current
R14831.	computer C6 Wi-Fi	Contactora	6	... / 5A
R148310020000	computer C6 Wi-Fi	Contactora	6	... / 5A
R14842.	computer C12 Wi-Fi	Contactora	12	... / 5A
R148420020000	computer C12 Wi-Fi	Contactora	12	... / 5A

Compatible with Anti Reactive Surveillance System - VAR. Programming via the MyConfig app.

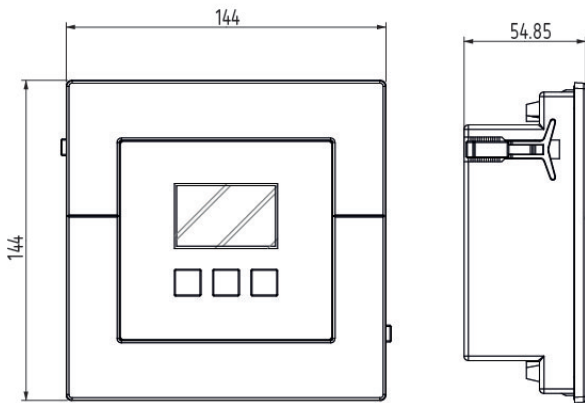


# computer C6 Wi-Fi

Fast power factor regulator

Code: R14831.

## Dimensions



## Connections

