



## 212-ES7A-23B10

212-ES7A-23B10, Single-phase energy meter

Code: QBM8A

- > Tariff: 3
- > Entrada cambio tarifa: No
- > Certification: IEC
- > Communications: RS-485 (IEC 62056-21)
- > N° relays: 1
- > Class (Active/Reactive): 1 / 2
- > System: Single-phase
- > Measure: Direct
- > Measurement Range (V): 230
- > Measurement Range (A): 5 (65)
- > Quadrants: 4
- > Frequency (Hz): 50

### Specifications

#### AC power supply

Tolerance	80 % ... 115 % Un
Consumption	< 2 W; < 10 VA
Frequency	50 / 60 Hz
Nominal voltage	230 V

#### Mechanical characteristics

Size (mm) width x height x depth	129 x 215 x 62 (mm)
Envelope	DIN 43859
Weight (kg)	0,67

#### Environmental characteristics

Relative humidity (without condensation)	95 % max.
Storage temperature	-40 ... +85 °C
Working temperature	-40 ... +70 °C

#### Voltage measurement circuit

Connection	Asymmetrical or Symetrical
Consumption	< 2 W; 10 VA
Nominal frequency	50 / 60 Hz
Nominal voltage	230 V

#### Current measurement circuit

Reference current (Iref)	5 A
Maximum current	65 A
Minimum current measurement	250 mA

#### Communications



## 212-ES7A-23B10

CIRWATT B102 single-phase meter

Code: QBM8A

Protocol	IEC 62056-21
Type	RS-485

### Optical communication interface

Protocol	IEC 62056-21 mode C
Type	Serial;bi-directional

### User interface

Resolution of the display	up to 7 digits
Display type	LCD

### Memory

Memory capacity	Up to 4 tariffs, optional load profile, 9600 records for load profiles
Type	FIFO

### Internal battery

Type	Lithium
Useful life	> 20 years @ 30 °C

### Measurement accuracy

Reactive energy measurement (kvarh)	IEC 62053-21 (Class 2)
Active energy measurement (kWh)	Class 1 - IEC 62053-21 Class B - EN 50470

### Features / performance

Billing closures	15
------------------	----

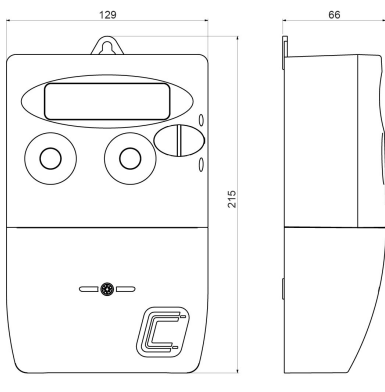


## 212-ES7A-23B10

CIRWATT B102 single-phase meter

Code: QBM8A

### Dimensions



### Connections

