



Compact DC-S BASIC

Compact DC-S BASIC, PRIME PLC Concentrator

Code: Q46240.

- > 2nd transformer connection: No
- > Homologation: -
- > Communications: PRIME | 3G
- > Digital inputs: -
- > LV supervisor: No

Description

The **COMPACT DC** concentrator is the device used to manage and read three-phase and single-phase power meters connected to the same low-voltage network using PRIME communications.

Typically located in the transformer substation, the **COMPACT DC** concentrator provides telemanagement features for the meters, whether reading the information they provide, or executing the actions that can be applied to this type of device, such as modifying tariffs, actuating the circuit breaker, etc.

COMPACT DC has an indirect three-phase meter with low-voltage monitoring functions, depending on the model.

The device features PRIME PLC communications, an Ethernet port and digital inputs.



Compact DC-S BASIC

PLC PRIME Concentrator

Code: Q46240.

Specifications

AC power supply

Installation category	CAT III 300V
Consumption	10 ... 26 VA
Frequency	50 / 60 Hz
Nominal voltage	110 ... 230 V~ ±20 %

Mechanical characteristics

Size (mm) width x height x depth	165 x 120 x 130 (mm)
Envelope	Self-extinguishing V0 plastic
Fastening	DIN rail
Weight (kg)	0,95

Environmental characteristics

Protection class	IP40
Relative humidity (without condensation)	5 ... 95 %
Working temperature	-25 ... +70 °C

Voltage measurement circuit

Frequency measuring range	45 ... 65 Hz
Voltage measuring range	127/220 ... 230/400 V~ ±20 %

Communications

Band	Cuatribanda/HSPA+HSPA/UMTS 850/900/1900/2100 MHz
Connector	SMA female connector
Type	3G (Huawei MU609)

Standards

Electrical safety, Maximum height (m)	2000
Standards	UNE-EN 61000-4-2, UNE-EN 61000-4-3, UNE-EN 61000-4-4, UNE-EN 61000-4-5, UNE-EN 62052-11, IEC 61010

User interface

LED	13 indication LEDs
-----	--------------------

COMPACT DC
PRIME PLC Concentrator



Compact DC-S BASIC

PLC PRIME Concentrator

Code: Q46240.

CODE	TYPE	2nd transformer connection	Homologation	Communications	Digital inputs	LV supervisor
Q46274.	Compact DC-S 3G BAT	No	-	PRIME 3G	-	1
Q4628C.	Compact DC-S MINI	No	-	PRIME	-	No
Q46210.	Compact DC-S 3G	No	Naturgy	PRIME 3G	-	1
Q46220.	Compact DC-S 4I	No	Naturgy	PRIME	4	1
Q46230.	Compact DC-S SBT	No	Naturgy	PRIME	-	1
Q46240.	Compact DC-S BASIC	No	-	PRIME 3G	-	No
Q46050.	Compact DC 2	Yes	Naturgy	PRIME	4	2
Q460B0IB00000	Compact DC CCT	No	Iberdrola	PRIME	-	1

Isolated digital inputs, 10 kV/1 min

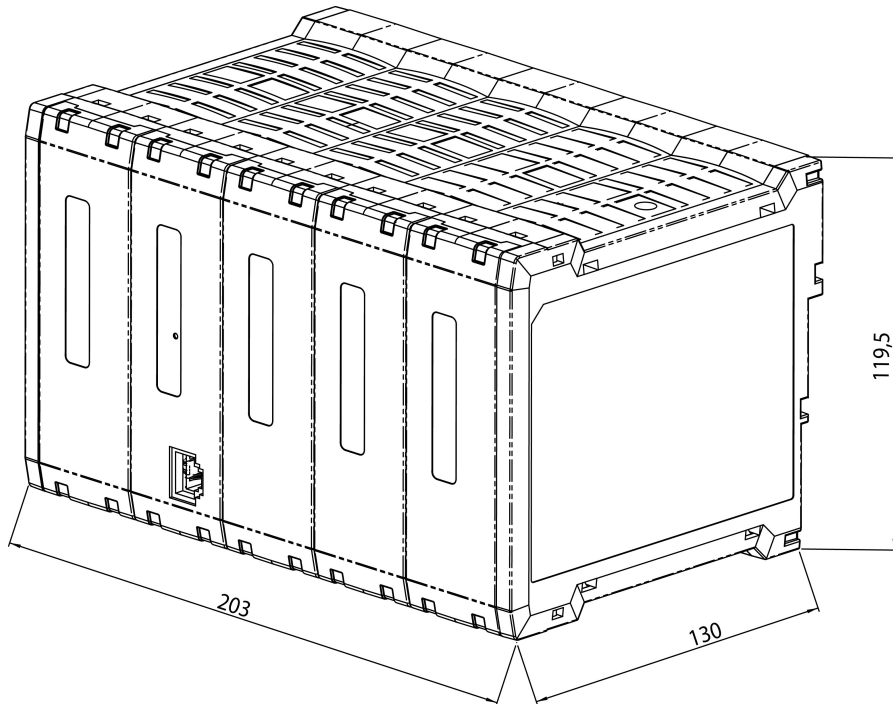


Compact DC-S BASIC

PLC PRIME Concentrator

Code: Q46240.

Dimensions



ESCALA 1 : 1