



Compact DC-S SBT

Compact DC-S SBT, PRIME PLC Concentrator

Code: Q46230.

- > 2nd transformer connection: No
- > Homologation: Naturgy
- > Communications: PRIME
- > Digital inputs: -
- > LV supervisor: 1

Description

The **COMPACT DC** concentrator is the device used to manage and read three-phase and single-phase power meters connected to the same low-voltage network using PRIME communications.

Typically located in the transformer substation, the **COMPACT DC** concentrator provides telemanagement features for the meters, whether reading the information they provide, or executing the actions that can be applied to this type of device, such as modifying tariffs, actuating the circuit breaker, etc.

COMPACT DC has an indirect three-phase meter with low-voltage monitoring functions, depending on the model.

The device features PRIME PLC communications, an Ethernet port and digital inputs.



Compact DC-S SBT

PLC PRIME Concentrator

Code: Q46230.

Specifications

AC power supply

Installation category	CAT III 300V
Consumption	7 ... 20 VA
Frequency	50 / 60 Hz
Nominal voltage	110 ... 230 V~ ±20 %

Mechanical characteristics

Size (mm) width x height x depth	165 x 120 x 130 (mm)
Envelope	Self-extinguishing V0 plastic
Fastening	DIN rail
Weight (kg)	1

Environmental characteristics

Protection class	IP40
Relative humidity (without condensation)	5 ... 95 %
Working temperature	-25 ... +70 °C

Current measurement circuit

Installation category	CAT III 600V
Nominal current (In)	5 A
Phase current measuring range	2 mA ... 10 A
Maximum input current consumption	0.02 VA
Maximum pulse current	20 x In (< 1s)
Minimum current measurement	2 mA

Voltage measurement circuit

Installation category	CAT III 600V
Input impedance	800 KΩ
Frequency measuring range	45 ... 65 Hz
Voltage measuring range	127/220 ... 230/400 V~ ±20 %
Maximum input voltage consumption	0.07 VA
Minimum measurement voltage (Vstart)	10 V~

Standards

Electrical safety, Maximum height (m)	2000
Standards	UNE-EN 61000-4-2, UNE-EN 61000-4-3, UNE-EN 61000-4-4, UNE-EN 61000-4-5, UNE-EN 62052-11, IEC 61010

User interface



Compact DC-S SBT

PLC PRIME Concentrator

Code: Q46230.

LED

9 indication LEDs / 1 LED (20000 imp / kWh) / 1 LEDs (20000 imp / kVAh)

Measurement accuracy

Phase current measurement	1%
Reactive energy measurement (kvarh)	Class 2
Active energy measurement (kWh)	Class B (1)
Phase voltage measurement	1%

COMPACT DC

PRIME PLC Concentrator

CODE	TYPE	2nd transformer connection	Homologation	Communications	Digital inputs	LV supervisor
Q46274.	Compact DC-S 3G BAT	No	-	PRIME 3G	-	1
Q4628C.	Compact DC-S MINI	No	-	PRIME	-	No
Q46210.	Compact DC-S 3G	No	Naturgy	PRIME 3G	-	1
Q46220.	Compact DC-S 4I	No	Naturgy	PRIME	4	1
Q46230.	Compact DC-S SBT	No	Naturgy	PRIME	-	1
Q46240.	Compact DC-S BASIC	No	-	PRIME 3G	-	No
Q46050.	Compact DC 2	Yes	Naturgy	PRIME	4	2
Q460B0IB00000	Compact DC CCT	No	Iberdrola	PRIME	-	1

Isolated digital inputs, 10 kV/1 min

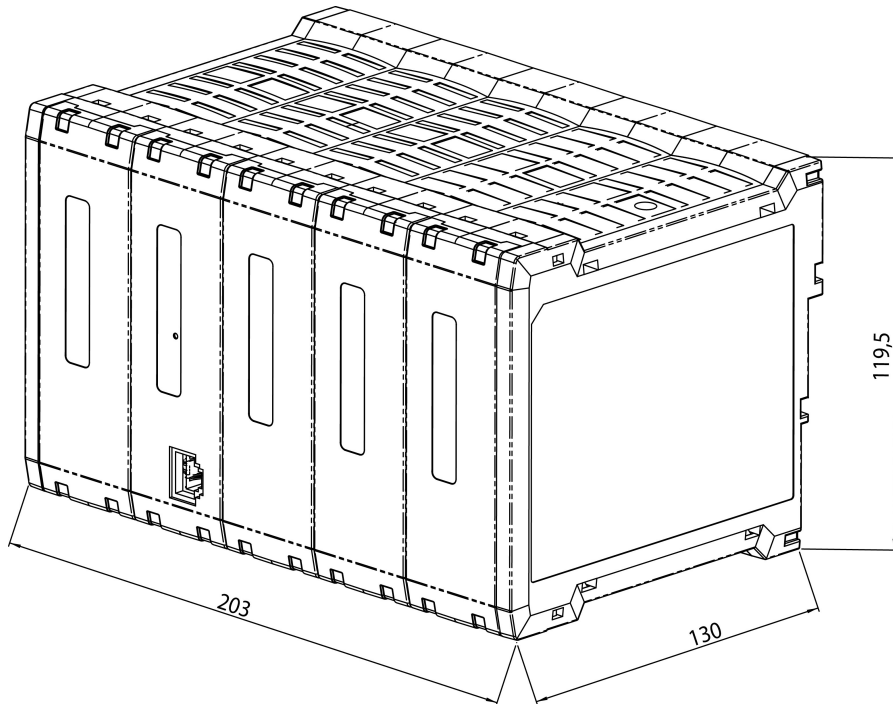


Compact DC-S SBT

PLC PRIME Concentrator

Code: Q46230.

Dimensions



ESCALA 1 : 1