

## T-SABT-BRIDGE

---



T-SABT-BRIDGE, Bridge card for backup line,

Code: Q32400.

### Description

---

T-SABT is the analyser that allows the three-phase voltage and current of a line to be measured to transmit the data, using RS-485, to the R-SABT advanced low-voltage monitor. The device can be installed on the sensor (CAP), located at the output of the low-voltage switchboard in the transformer substation, or in a specially designed cabinet.



## T-SABT-BRIDGE

Advanced low-voltage monitoring card

Code: Q32400.

### Specifications

#### DC power supply

Installation category	CAT IV 300 V
Consumption	0.1 W
Nominal voltage	24 V

#### Mechanical characteristics

Size (mm) width x height x depth	93 x 59 x 50 (mm)
Envelope	V0 self-extinguishing plastic
Weight (kg)	0,3

#### Environmental characteristics

Protection class	IP 2XB
Relative humidity (without condensation)	5 ... 95 %
Storage temperature	-25 ... +70 °C
Working temperature	-10 ... +70 °C

#### Voltage measurement circuit

Installation category	CAT IV 300V
Input impedance	> 300 kΩ
Voltage measuring range	127/220 ... 230/400 V ~ ± 20 %
Maximum input voltage consumption	0.03 VA
Minimum measurement voltage (Vstart)	20 V ~

#### Communications

Connector	RJ-45
-----------	-------

#### Standards

Electrical safety, Maximum height (m)	2000
Electrical safety, Installation category	CAT IV 300 V
Standards	UNE-EN 61010-1, UNE-EN 61000-6-2, UNE-EN 61000-6-4

#### User interface

LED	4 indication LED
-----	------------------

#### T-SABT

Advanced Low-voltage Monitoring Cards



## T-SABT-BRIDGE

Advanced low-voltage monitoring card

Code: Q32400.

CODE	TYPE	Description
<b>Advanced Low-voltage Monitoring Cards</b>		
Q32000.	T-SABT	Advanced low voltage monitoring card
Q32400.	T-SABT-BRIDGE	Bridge card for backup line
Q32002.	T-SABT FLEX	Advanced low voltage monitoring card, Rogowski assembly
<b>Advanced Monitoring Accessories</b>		
Q32200.	VTN	Neutral to earth voltage monitor

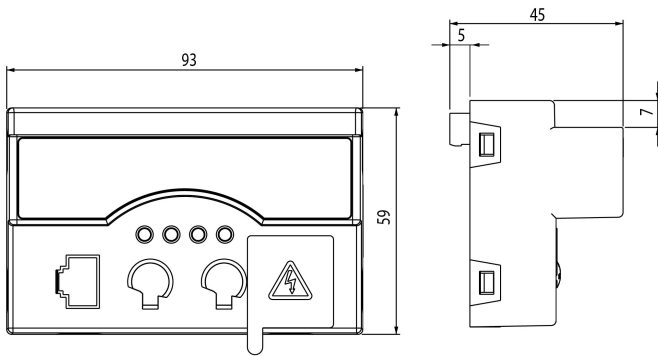
# T-SABT-BRIDGE



Advanced low-voltage monitoring card

Code: Q32400.

## Dimensions



## Connections

