

T-SABT-BRIDGE



T-SABT-BRIDGE, Bridge card for backup line,

Code: Q32400. **CONSULTAR DISPONIBILIDAD**

Description

T-SABT is the analyser that allows the three-phase voltage and current of a line to be measured to transmit the data, using RS-485, to the R-SABT advanced low-voltage monitor. The device can be installed on the sensor (CAP), located at the output of the low-voltage switchboard in the transformer substation, or in a specially designed cabinet.



T-SABT-BRIDGE

Advanced low-voltage monitoring card

Code: Q32400.

Specifications

DC power supply

Installation category	CAT IV 300 V
Consumption	0.1 W
Nominal voltage	24 V

Mechanical characteristics

Size (mm) width x height x depth	93 x 59 x 50 (mm)
Envelope	V0 self-extinguishing plastic
Weight (kg)	0,084

Environmental characteristics

Protection class	IP 2XB
Relative humidity (without condensation)	5 ... 95 %
Storage temperature	-25 ... +70 °C
Working temperature	-10 ... +70 °C

Voltage measurement circuit

Installation category	CAT IV 300V
Input impedance	> 300 kΩ
Voltage measuring range	127/220 ... 230/400 V ~ ± 20 %
Maximum input voltage consumption	0.03 VA
Minimum measurement voltage (Vstart)	20 V ~

Standards

Electrical safety, Maximum height (m)	2000
Electrical safety, Installation category	CAT IV 300 V
Standards	UNE-EN 61010-1, UNE-EN 61000-6-2, UNE-EN 61000-6-4

User interface

LED	4 indication LED
-----	------------------

T-SABT

Advanced Low-voltage Monitoring Cards

CODE	TYPE	Description
Advanced Monitoring Accessories		
Q32200.	VTN	Neutral to earth voltage monitor
Q32103.	EXT-NEUTRO	



T-SABT-BRIDGE

Advanced low-voltage monitoring card

Code: Q32400.

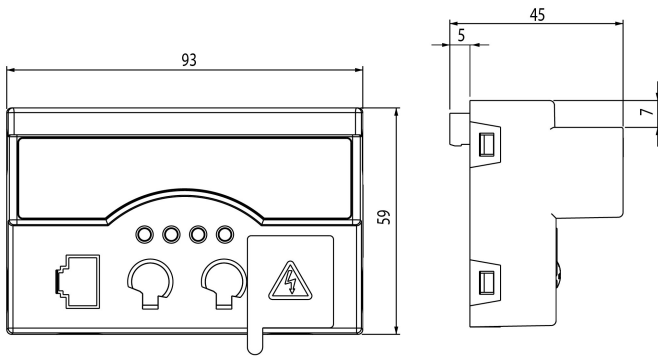
T-SABT-BRIDGE



Advanced low-voltage monitoring card

Code: Q32400.

Dimensions



Connections

