
Code:

Specifications

Mechanical characteristics

Size (mm) width x height x depth 145 x 110 x 86 (mm)

kit3-TRMC210.2

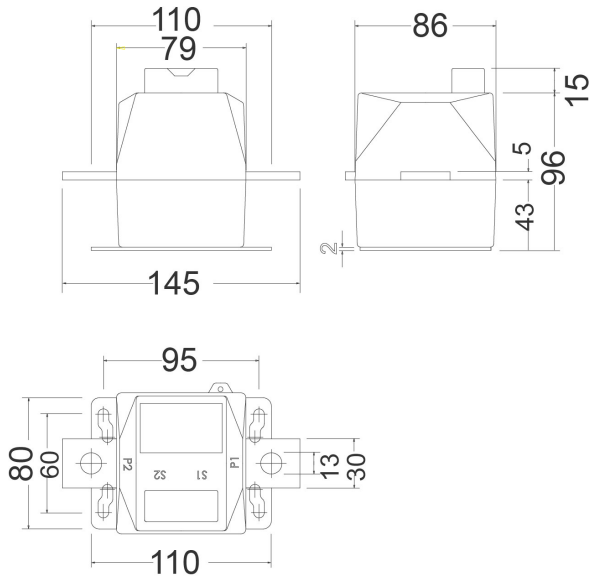
Sets of 3 current transformers for energy meters class 0,5S

| CODE | TYPE |
|---------------|------------------------|
| Q30981. | TRMC 210 -0.5S-3X100/5 |
| Q30982. | TRMC 210 -0.5S-3X150/5 |
| Q30983. | TRMC 210 -0.5S-3X200/5 |
| Q30984. | TRMC 210 -0.5S-3X300/5 |
| Q30985. | TRMC 210 -0.5S-3X400/5 |
| Q30986. | TRMC 210 -0.5S-3X500/5 |
| Q30987. | TRMC 210 -0.5S-3X600/5 |
| Q3098D. | TRMC 210-3x50/5 |
| Q309810000001 | TRMC 210 -0.5S-3X100/5 |
| Q309820000001 | TRMC 210 -0.5S-3X150/5 |
| Q309830000001 | TRMC 210 -0.5S-3X200/5 |
| Q309840000001 | TRMC 210 -0.5S-3X300/5 |
| Q309850000001 | TRMC 210 -0.5S-3X400/5 |
| Q309860000001 | TRMC 210 -0.5S-3X500/5 |
| Q309870000001 | TRMC 210 -0.5S-3X600/5 |



Code:

Dimensions



Connections

