



TRMC 210 -0.5S-3X400/5

TRMC 210 -0.5S-3X400/5, set of 3 current transformers for energy meters, class 0,5S

Code: Q30905.

- > Class 0,5S Power (VA): 10
- > Measurement Range (A): 400/5
- > Input current: 400/5 A

Specifications

Mechanical characteristics

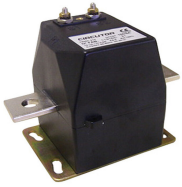
Size (mm) width x height x depth	145 x 110 x 86 (mm)
Weight (kg)	5,3

kit3-TRMC210

Kit of 3 current transformers for energy meters, primary winding

CODE	TYPE
Q30901.	TRMC 210 -0.5S-3X100/5
Q30902.	TRMC 210 -0.5S-3X150/5
Q30903.	TRMC 210 -0.5S-3X200/5
Q30904.	TRMC 210 -0.5S-3X300/5
Q30905.	TRMC 210 -0.5S-3X400/5
Q30906.	TRMC 210 -0.5S-3X500/5
Q30907.	TRMC 210 -0.5S-3X600/5
Q309010000001	TRMC 210 -0.5S-3X100/5
Q309020000001	TRMC 210 -0.5S-3X150/5
Q309030000001	TRMC 210 -0.5S-3X200/5
Q309040000001	TRMC 210 -0.5S-3X300/5
Q309050000001	TRMC 210 -0.5S-3X400/5
Q309060000001	TRMC 210 -0.5S-3X500/5
Q309070000001	TRMC 210 -0.5S-3X600/5

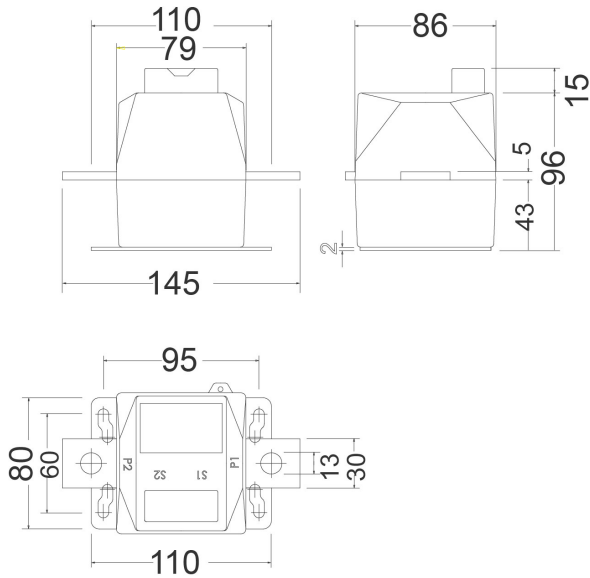
Check availability.../1 A



TRMC 210 -0.5S-3X400/5

Code: Q30905.

Dimensions



Connections

