

TRMC 210 -0.5S-3X100/5

TRMC 210 -0.5S-3X100/5

Code: Q309010100000 (CONSULTAR DISPONIBILIDAD)

- > Transformer
- > Flat strip(mm): Primary winding
- > Class 0,5S Power (VA): 10
- > Measurement Range (A): 100/5
- > Input current: 100/5 A

Specifications

Mechanical characteristics

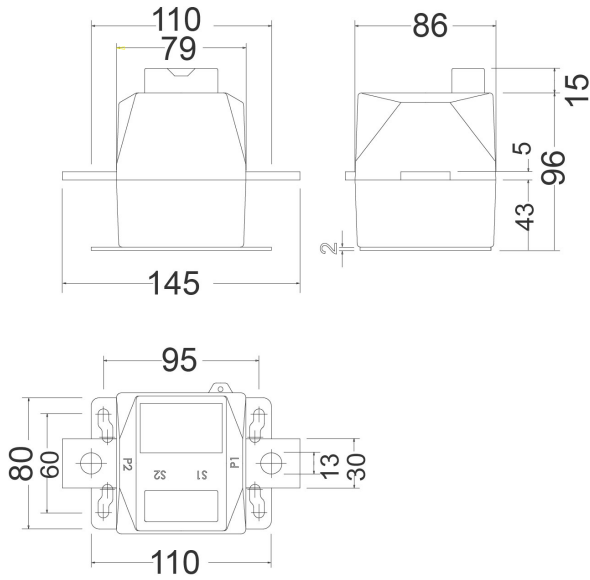
Size (mm) width x height x depth	145 x 110 x 86 (mm)
Weight (kg)	6,9



TRMC 210 -0.5S-3X100/5

Code: Q309010100000

Dimensions



Connections

