



Router 4G/LTE Wifi

Router 4G, Router 4G Modem with Ethernet communications (includes PS + antenna + cable),

Code: Q30235.

Specifications

DC power supply

Nominal voltage	9-30 VDC
-----------------	----------

Mechanical characteristics

Size (mm) width x height x depth	83 x 80 x 26 (mm)
Envelope	Aluminium , plastic panels
Weight (kg)	0,4

Environmental characteristics

Working temperature	-40 ... +75 °C
---------------------	----------------

Communication Network

Protocol	TCP, UDP, IPv4, IPv6, ICMP, NTP, DNS, HTTP, HTTPS, FTP, SMTP, SSLv3, TLS 1.3, ARP, PPP, PPPoE, DHCP, Telnet
Technology / Interface	Ethernet

Control Unit

CPU	Mediatek, 580 MHz, MIPS 24KEc
-----	-------------------------------

User interface

LED	3 x Connection type, 5 x Signal strength, 2 x Ethernet, 1 x Power
-----	---

Memory

Type	128 MB RAM 16 MB Flash
------	------------------------

Radio communication

Technology / Type	4G/LTE (Cat 4), 3G, 2G
-------------------	------------------------

Wireless communication

Technology / Type	Wi-Fi: IEEE 802.11b/g/n, Access point (AP), Station (STA)
-------------------	---

Router 4G

Router 4G with Ethernet communications

CODE	TYPE	Description	Descripción
Q30235.	Router 4G/LTE Wifi	Router 4G Modem with Ethernet communications (includes PS + antenna + cable)	
Q30236.	ADP-DIN-4G		



Router 4G/LTE Wifi

Router industrial

Code: Q30235.

CODE	TYPE	Description	Descripción
Q30221.	Router 4G/LTE Wifi/DualSIM		Módem router Router 4G con Comunicaciones Ethernet (incluye PS + antena + cable)
Q30237.	Router 4G/LTE/RS232/RS485		

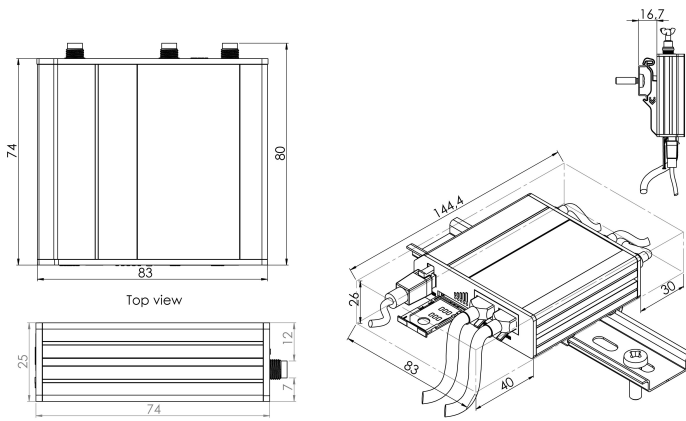


Router 4G/LTE Wifi

Router industrial

Code: Q30235.

Dimensions

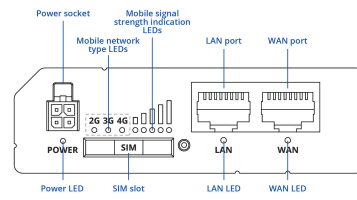


Connections

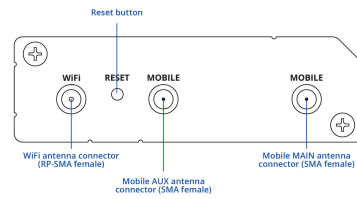
DATASHEET // RUT200

HARDWARE

FRONT VIEW



BACK VIEW



POWER SOCKET PINOUT

