



## CEM-C12-MID

CEM-C12-MID, Single-phase energy meter, direct connection

Code: Q27112. **DESCATALOGADO**

- > Protocol: Modbus/RTU
- > Módulos: 1
- > Certification: MID
- > Communications: RS-485
- > System: Single-phase
- > Measure: Direct
- > Measurement Range (V): 1 x 230
- > Measurement Range (A): 0.25 ... 5 (100) A
- > Quadrants: 4

### Description

**CEM-C12** is a single-phase, direct-connection electricity meter rated at up to 100 A. It measures electricity bidirectionally and features Class-1 accuracy. It also has RS-485/Modbus-RTU communications built into the same device.

Main features include:

- Small size (1 DIN rail module, 18 mm)
- Backlit LCD screen (6 digits) with rotating display system
- Electrical parameter readings

### Application

To measure electricity consumption in buildings, machinery or the tertiary sector.

Control of partial consumption

To report electricity consumption to a remote system.



## CEM-C12-MID

Single-phase electrical energy meter, for assembly on DIN Rail

Code: Q27112.

### Specifications

#### AC power supply

Nominal voltage	230 V ~
-----------------	---------

#### Mechanical characteristics

Size (mm) width x height x depth	18 x 90 x 72 (mm)
Envelope	ABS, PC alloy material
Fastening	Attached to a DIN rail (IEC 60715)
Weight (kg)	0,1

#### Environmental characteristics

Protection class	IP 51 (Indoor meter)
Relative humidity (without condensation)	95 %
Working temperature	-25 ... +55 °C

#### Current measurement circuit

Maximum current	100 A
-----------------	-------

#### Voltage measurement circuit

Nominal frequency	50 Hz.
Maximum input voltage consumption	$\leq 10 \text{ VA}$ , $\leq 0,4 \text{ Wh}$

#### User interface

LED	1000 imp / kWh
Keyboard	1 Keys
Display type	LCD
Maximum value	99999,9 kWh

#### Standards

Standards	IEC 62053-21, IEC 62052-11, EN 50470-1, EN 50470-3, EU Directive 2014/32/EU on Measuring instruments Annex II, Module B
-----------	---

#### Measurement accuracy

Active energy measurement (kWh)	Class B (EN 50470)
---------------------------------	--------------------

#### Serial communication

Protocol	Modbus RTU
Technology / Type	RS-485

Frequency: 50/60 Hz. Parameters: V, A, kW, kVA, kWh, cos phi

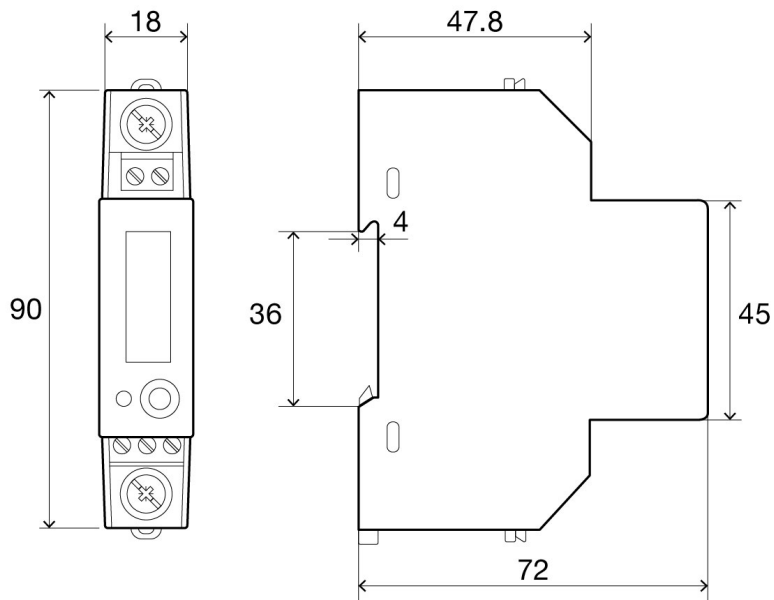


## CEM-C12-MID

Single-phase electrical energy meter, for assembly on DIN Rail

Code: Q27112.

### Dimensions



### Connections

