



CEM-C6-MID

CEM-C6-MID, Single-phase energy meter, direct connection

Code: Q26115. (CONSULTAR DISPONIBILIDAD)

- > Protocol: Modbus/RTU
- > Módulos: 1
- > Certification: MID
- > Communications: RS-485
- > System: Single-phase
- > Measure: Direct
- > Measurement Range (V): 1 x 230
- > Measurement Range (A): 10 (100) A
- > Quadrants: 2

Specifications

AC power supply

Nominal voltage	230 V ~
-----------------	---------

Mechanical characteristics

Size (mm) width x height x depth	18 x 90 x 72 (mm)
Envelope	ABS, PC alloy material
Weight (kg)	0,098

Environmental characteristics

Protection class	IP 51
Relative humidity (without condensation)	95 %
Working temperature	-20 ... +65 °C

Current measurement circuit

Nominal current (In)	10 A
Maximum current	100 A

Voltage measurement circuit

Nominal frequency	50 Hz.
Maximum input voltage consumption	≤ 8 VA , ≤ 0,4 Wh

Communications

Protocol	Modbus RTU
Speed	1200 - 2400 - 4800 - 9600

User interface

LED	1000 imp / kWh (amplitude: 90 ms)
Keyboard	1 Keys
Display type	LCD
Maximum value	99999,9 kWh



CEM-C6-MID

Single-phase electrical energy meter, for assembly on DIN Rail

Code: Q26115.

Measurement accuracy

Active energy measurement (kWh)

Class 1 (IEC 62053-21)

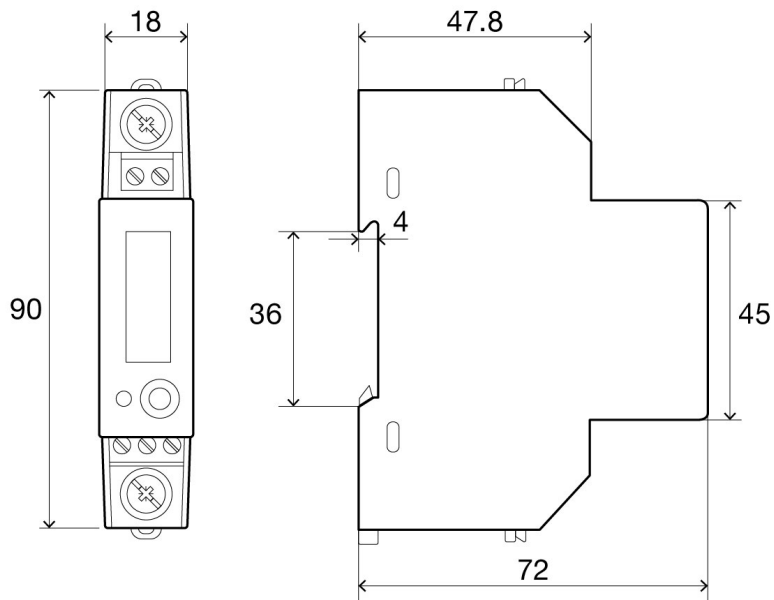


CEM-C6-MID

Single-phase electrical energy meter, for assembly on DIN Rail

Code: Q26115.

Dimensions



Connections

