



## CEM-C31-T1

CEM-C31-T1, Indirect three-phase energy meter

Code: Q23511.

- > Módulos: 4
- > Tariff: 1
- > Certification: IEC
- > Transistor output: 1
- > System: Three-phase
- > Measure: Indirect
- > Measurement Range (V): 3 x 57/100...3 x 230/400
- > Measurement Range (A): .../ 5 (10) A
- > Max. Current (A): 10

### Description

Three-phase electrical energy meter with indirect measurement, 5(10)A (, CEM-C31), direct measurement 65 A (CEM-C21) or single-phase energy meter (CEM-C10).

Built-in LCD display (7 digits) with rotating screen system. Features built-in RS-485 communications. Also features

2 buttons (1 sealable button) for viewing all the measured information.

Other features include:

- MID certification, module B+D (depending on the type)
- Class 1 active energy (Class B, in accordance with MID), Class 2 reactive energy
- Complies with the EN 50470 (MID European standards) or IEC 62052-11 standards (international standards), depending on the type.
- Compact size (CEM-C10: 2 modules, 36 mm, CEM-C21 y CEM-C31: 4 modules, 72 mm)
- Resettable partial meter
- 1 programmable impulse output, in accordance with DIN 43864 (CEM-C10, CEM-C31-T1, CEM-C21-T1 models)
- 1 Digital input for Tariff selection and impulse count (CEM-C31-D, CEM-C21-DS)
- Indicates bad connections on the screen
- Energy storage, even in the case of bad connections

### Application

- Redundant meter for verifying the energy allocated by the energy provider.
- Energy consumption report sent to a remote system (PLC/BMS).
- Cost control for achieving a high consumption/unit ratio in industrial processes.
- Display of electrical parameters (V, A, kW, kW-h, PF, etc.), per phase and three-phase.



## CEM-C31-T1

Energy meter for DIN rail mounting

Code: Q23511.

### Specifications

#### AC power supply

Consumption	< 2 W, 10 VA
Frequency	50 ... 60 Hz
Nominal voltage	230 V / 400 V ~ ( $\pm 20\%$ )

#### Mechanical characteristics

Size (mm) width x height x depth	70 x 90 x 64 (mm)
Weight (kg)	0,37

#### Environmental characteristics

Relative humidity (without condensation)	5 ... 95 %
--	------------

#### Current measurement circuit

Consumption	0.3 VA ... 10 A
Reference current (Iref)	5 A
Maximum current	10 A

#### Voltage measurement circuit

Consumption	< 2W , < 10VA (In, Vref)
Nominal frequency	50 / 60 Hz
Nominal voltage	3 x 127/220 ... 3 x 230/400 V ~

#### Electrical characteristics

Insulation voltage, circuit	4 kV RMS 50 Hz durante 1 min
-----------------------------	------------------------------

#### Communications

Protocol	ModBus
----------	--------

#### Standards

Electrical safety, Maximum height (m)	2000
---------------------------------------	------

#### User interface

Keyboard	2 Keys
Maximum value	999999.9 kWh

#### Digital transistor outputs

Quantity	1
Maximum voltage	24 Vcc



## CEM-C31-T1

Energy meter for DIN rail mounting

Code: Q23511.

### CEM-C Energy meter

CODE	TYPE	Measurement Range (V)	Measurement Range (A)	Communications	Protocol	Transistor output	Digital inputs	Tariff	Certification
Q21112.	CEM C10 212	1 x 230	5 (65) A	-	-	1	-	1	IEC
Q21114.	CEM C10 212 MID	1 x 230	5 (65) A	-	-	1	-	1	MID
Q22411.	CEM-C21-T1	3 x 127/220...3 x 230/400	5 (65) A	-	-	1	-	1	IEC
Q22421.	CEM-C21-485-T1	3 x 127/220...3 x 230/400	5 (65) A	RS-485	Modbus/RTU	1	-	1	IEC
Q22431.	CEM-C21-485-DS	3 x 127/220...3 x 230/400	5 (65) A	RS-485	Modbus/RTU	0	1	2	IEC
Q22412.	CEM-C21-T1-MID	3 x 127/220...3 x 230/400	5 (65) A	-	-	1	-	1	MID
Q22422.	CEM-C21-485-T1-MID	3 x 127/220...3 x 230/400	5 (65) A	RS-485	Modbus/RTU	1	-	1	MID
Q22432.	CEM-C21-485-DS-MID	3 x 127/220...3 x 230/400	5 (65) A	RS-485	Modbus/RTU	0	1	2	MID
Q23511.	CEM-C31-T1	3 x 57/100...3 x 230/400	.../ 5 (10) A	-	-	1	-	1	IEC
Q23521.	CEM-C31-485-T1	3 x 57/100...3 x 230/400	.../ 5 (10) A	RS-485	Modbus/RTU	1	-	1	IEC
Q23531.	CEM-C31-485-DS	3 x 57/100...3 x 230/400	.../ 5 (10) A	RS-485	Modbus/RTU	0	1	2	IEC
Q23512.	CEM-C31-T1-MID	3 x 57/100...3 x 230/400	.../ 5 (10) A	-	-	1	-	1	MID
Q23522.	CEM-C31-485-T1-MID	3 x 57/100...3 x 230/400	.../ 5 (10) A	RS-485	Modbus/RTU	1	-	1	MID
Q23532.	CEM-C31-485-DS-MID	3 x 57/100...3 x 230/400	.../ 5 (10) A	RS-485	Modbus/RTU	0	1	2	MID

CEM-C10 and CEM-C21/C31 without built-in RS-485 communications can optionally communicate with CEM-M-ETH and CEM-M-RS485 modules.

Devices with absolute measurements (Abs). For 2 or 4 quadrants, see the

CEM-XXX-T1 encoding table - Devices with pulse output (transistor)

CEM-XXX-DS-Devices with digital input for tariff change and impulse meter

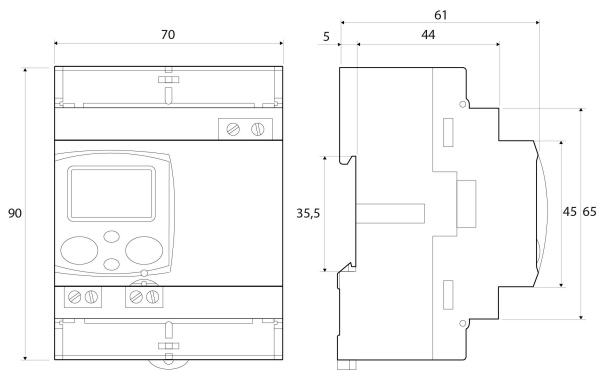


# CEM-C31-T1

Energy meter for DIN rail mounting

Code: Q23511.

## Dimensions



## Connections

