



RZ-10-480-60Hz-7%

RZ-10-480-60Hz-7%, Reactors III for detuned filters

Code: P731150017000

- > L(mH): 4,58
- > For capacitor: CLZ-FP-52/11,5-60Hz-HD
- > Frequency (Hz): 60
- > kvar (480 V): 10
- > Un (V): 480

Description

CIRCUTOR has a complete range of detuned reactors, $p = 7\%$, with a resonance frequency of 189 Hz for 50 Hz networks (or, on demand, 227 Hz for 60 Hz networks). This is the most frequent tuning value to avoid any resonance with the 5th harmonic and over. The set of capacitors-reactors absorbs part of the current of the 5th harmonic and acts as a detuned filter for higher frequencies. In some installations, anyway, other value of $p(\%)$ can be required, for example, 8,7 % (170 Hz), 14 % (134 Hz)... **CIRCUTOR** can manufacture reactors adapted to any power, p (%), frequency, voltage ($U_n \leq 1000$ VAC).

Reactors for low power rating, **RZ** range, are built with low losses magnetic sheets and coiled with aluminum wires. A terminal block for the connection of the reactor is fitted. Higher powers are covered by **RBH** range. These reactors are based on a magnetic sheet core with multiple air gaps, which provides them with excellent characteristics and low loss ratios.

Both **RZ** and **RBZ** reactors are subjected to a varnish vacuum impregnation, based on polyester resin, to increase the insulation, providing a greater mechanical resistance and reducing the level of noise.

Application

RZ and **RBZ** detuned reactors have been specially designed for their use in installations with capacitor banks with considerably high harmonic distortion rates. The reactors must be connected in series to the proper power capacitor for the satisfactory protection of the own capacitors and to avoid the resonance effects in the installation.



RZ-10-480-60Hz-7%

Reactors

Code: P731150017000

Specifications

AC power supply

Frequency	60 Hz
-----------	-------

Electrical characteristics

Permanent overload	1,17 x In
Linearity (5% L)	1,75 x In
Maximum transient current	2 In (1 min)
Voltage	480 V, on request: up to 1000 V
Tolerance L	± 5 %
L value (mH)	4.58
Insulation voltage, circuit	3 kV

Electrical characteristic

Overvoltage factor (p %)	7 % (227 Hz)
--------------------------	--------------

Environmental characteristics

Thermal Class	class F (+155 °C) On request: class H (+180 °C)
Protection class	IP 00
Installation, location, position.	Inside
Ambient temperature	-10 ... +45 °C

Mechanical characteristics

Envelope	Conductor type: Aluminium strip / copper cable
----------	--

Standards

Standards	UNE-EN 60289, IEC 60076
-----------	-------------------------

Protection

Circuit breaker type	9125°C NC thermostat
----------------------	----------------------

RZ-RBZ-60Hz

Reactors III for detuned filters, 60 Hz

CODE	TYPE	L(mH)	For capacitor	Frequency (Hz)	kvar (480 V)	Un (V)	P%
480 Vac, 60 Hz, f resonance = 227 Hz / p= 7%							
P731130017000	RZ-7,5-480-60 Hz-7%	6,12	CLZ-FP-52/8,5-60Hz-HD	60	7,5	480	7%
P731150017000	RZ-10-480-60Hz-7%	4,58	CLZ-FP-52/11,5-60Hz-HD	60	10	480	7%



RZ-10-480-60Hz-7%

Reactors

Code: P731150017000

CODE	TYPE	L(mH)	For capacitor	Frequency (Hz)	kvar (480 V)	Un (V)	P%
P731170017000	RZ-12,5-480-60 Hz-7%	3,66	CLZ-FP-52/15-60Hz-HD	60	12,5	480	7%
P731200017000	RZ-15-480-60 Hz-7%	3,06	CLZ-FP-52/17-60Hz-HD	60	15	480	7%
P731250017000	RBZ-20-480-60Hz-7%	2,29	CLZ-FP-52/22,5-60Hz-HD	60	20	480	7%
P731300017000	RBZ-25-480-60 Hz-7%	1,83	CLZ-FP-52/30-60Hz-HD	60	25	480	7%
P731350017000	RBZ-30-480-60 Hz-7%	1,53	CLZ-FP-52/34-60Hz-HD	60	30	480	7%
P731400017000	RBZ-40-480-60Hz-7%	1,15	2 x CLZ-FP-52/22,5-60Hz-HD	60	40	480	7%
P731450017000	RBZ-50-480-60 Hz-7%	0,92	2 x CLZ-FP-52/30 -60Hz-HD	60	50	480	7%
P731500017000	RBZ-60-480-60 Hz-7%	0,76	2 x CLZ-FP-52/34-60Hz-HD	60	60	480	7%
P731550017000	RBZ-80-480-60Hz-7%	0,58	3 x CLZ-FP-52/30-60Hz-HD	60	80	480	7%
480 Vac, 60 Hz, f resonance = 160 Hz / p= 14%							
P731170017300	RZ-12,5-480-60Hz-14%	7,81	CLZ-FP-60/17,5-60Hz-HD	60	12,5	480	14%
P731200017300	RZ-15-480-60Hz-14%	6,52	CLZ-FP-60/21-60Hz-HD	60	15	480	14%
P731300017300	RBZ-25-480-60Hz-14%	3,91	CLZ-FP-60/34,5-60Hz-HD	60	25	480	14%
P731350017300	RBZ-30-480-60Hz-14%	3,26	2 x CLZ-FP-60/21-60Hz-HD	60	30	480	14%
P731450017300	RBZ-50-480-60Hz-14%	1,95	2 x CLZ-FP-60/34,5-60Hz-HD	60	50	480	14%

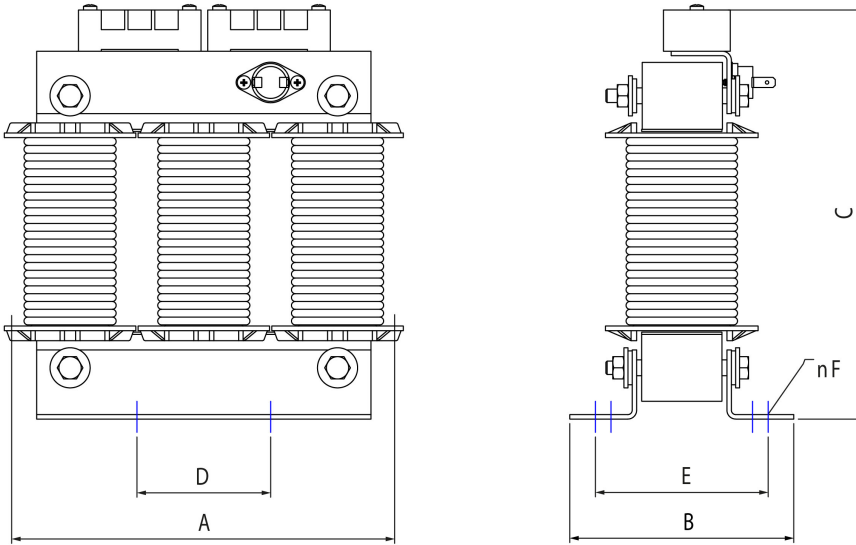


RZ-10-480-60Hz-7%

Reactors

Code: P731150017000

Dimensions



Tipo	A mm	B mm	C mm	D* mm	E* mm	F mm	G mm	kg
RZ-5-400	155	76	165	75	55	7	-	4
RZ-6,24-400	180	112	190	90	75	7	-	6
RZ-10-400	180	112	190	90	75	7	-	6,5
RZ-12,5-400	180	112	190	90	75	7	-	7
RZ-15-400	180	112	190	90	75	7	-	8

Tipo	A mm	B mm	C mm	D* mm	E* mm	F mm	G mm	kg
REZ-05-400	150	90	155	75	70	7	-	4
REZ-10-400	180	110	195	90	83	7	-	7
REZ-15-400	180	120	195	90	93	7	-	9
REZ-20-400	250	130	245	130	98	7	-	15
REZ-25-400	250	130	245	130	98	7	-	16
REZ-30-400	250	130	245	130	98	7	-	17

* Distance between fixations