



TRM80 2500/5A

TRM80 2500/5A, Measuring transformers encapsulated in resin

Code: P50137.

- > Inner diameter (mm): 80
- > System: Single-phase
- > Class 0,5 Power (VA): 30
- > Measurement Range (A): 2500/5
- > Input current: 2500 A
- > Transformer type: Encapsulated in resin

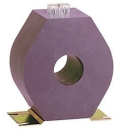
Description

Resin-coated current transformer, busbar. Other characteristics:

- From 75 to 5000 A
- Inner diameter from 30 to 180 mm, according to type
- Secondary .../5 A (.../1 A on request)

Application

These transformers have been conceived to convert nominal currents in any installation to current values adjusted to measurement devices. Its synthetic resin increases its resistance to adverse environmental conditions.



TRM80 2500/5A

Measuring transformers encapsulated in resin

Code: P50137.

Specifications

Electrical characteristics

| | |
|--|-------------------|
| Power | 30 VA (Class 0,5) |
| Insulation voltage between terminals S1-S2 | 3 kV |

Mechanical characteristics

| | |
|----------------------------------|--|
| Size (mm) width x height x depth | 135 x 178 x 36 (mm) |
| Envelope | Self-extinguishing V0, synthetic resin |
| Weight (kg) | 1,2 |

Environmental characteristics

| | |
|---------------|-------------------|
| Thermal Class | Class B (+130 °C) |
|---------------|-------------------|

Specific technical characteristics of current sensors

| | |
|-----------------------|---------------|
| Inner diameter Ø (mm) | 80 |
| Operating voltage | 0,72 kV~ max. |

Current measurement circuit

| | |
|-------------------------------------|------------|
| Nominal frequency | 50 / 60 Hz |
| Primary current measurement | 2500 A |
| Dynamic current (Idyn) | 2,5 Ith |
| Thermal short-circuit current (Ith) | 60 In |
| Transformation ratio | ... / 5 A |

Standards

| | |
|-----------|------------------------------|
| Standards | IEC 60044-1 / UNE EN 60044-1 |
|-----------|------------------------------|

TRM

Measuring transformers encapsulated in resin

| CODE | TYPE | Measurement Range (A) | Inner diameter (mm) | Class 0,5 Power (VA) | Class 1 Power (VA) |
|--------------|--------------|-----------------------|---------------------|----------------------|--------------------|
| TRM30 | | | | | |
| P50101. | TRM30 75/5A | 75/5 | 30 | - | 2 |
| P50102. | TRM30 100/5A | 100/5 | 30 | - | 5 |
| P50103. | TRM30 150/5A | 150/5 | 30 | - | 5 |
| P50104. | TRM30 200/5A | 200/5 | 30 | 10 | - |
| P50105. | TRM30 250/5A | 250/5 | 30 | 15 | - |
| P50106. | TRM30 300/5A | 300/5 | 30 | 20 | - |



TRM80 2500/5A

Measuring transformers encapsulated in resin

Code: P50137.

| CODE | TYPE | Measurement Range (A) | Inner diameter (mm) | Class 0,5 Power (VA) | Class 1 Power (VA) |
|---------------|----------------|-----------------------|---------------------|----------------------|--------------------|
| P50107. | TRM30 400/5A | 400/5 | 30 | 25 | - |
| TRM40 | | | | | |
| P50111. | TRM40 150/5A | 150/5 | 40 | 5 | - |
| P50112. | TRM40 200/5A | 200/5 | 40 | 7,5 | - |
| P50113. | TRM40 250/5A | 250/5 | 40 | 10 | - |
| P50114. | TRM40 300/5A | 300/5 | 40 | 15 | - |
| P50115. | TRM40 400/5A | 400/5 | 40 | 20 | - |
| P50116. | TRM40 500/5A | 500/5 | 40 | 25 | - |
| P50117. | TRM40 600/5A | 600/5 | 40 | 30 | - |
| P50118. | TRM40 800/5A | 800/5 | 40 | 35 | - |
| TRM60 | | | | | |
| P50121. | TRM60 250/5A | 250/5 | 60 | 5 | - |
| P50122. | TRM60 300/5A | 300/5 | 60 | 7,5 | - |
| P50123. | TRM60 400/5A | 400/5 | 60 | 10 | - |
| P50124. | TRM60 500/5A | 500/5 | 60 | 15 | - |
| P50125. | TRM60 600/5A | 600/5 | 60 | 20 | - |
| P50126. | TRM60 800/5A | 800/5 | 60 | 25 | - |
| P50127. | TRM60 1000/5A | 1000/5 | 60 | 30 | - |
| P50128. | TRM60 1200/5A | 1200/5 | 60 | 35 | - |
| TRM80 | | | | | |
| P50131. | TRM80 500/5A | 500/5 | 80 | 5 | - |
| P50132. | TRM80 600/5A | 600/5 | 80 | 7,5 | - |
| P50133. | TRM80 750/5A | 750/5 | 80 | 10 | - |
| P50134. | TRM80 1000/5A | 1000/5 | 80 | 15 | - |
| P50135. | TRM80 1500/5A | 1500/5 | 80 | 20 | - |
| P50136. | TRM80 2000/5A | 2000/5 | 80 | 25 | - |
| P50137. | TRM80 2500/5A | 2500/5 | 80 | 30 | - |
| TRM100 | | | | | |
| P50141. | TRM100 750/5A | 750/5 | 100 | 15 | - |
| P50142. | TRM100 1000/5A | 1000/5 | 100 | 20 | - |
| P50144. | TRM100 1500/5A | 1500/5 | 100 | 20 | - |
| P50145. | TRM100 2000/5A | 2000/5 | 100 | 20 | - |
| P50146. | TRM100 2500/5A | 2500/5 | 100 | 20 | - |
| P50147. | TRM100 3000/5A | 3000/5 | 100 | 25 | - |
| TRM140 | | | | | |
| P50151. | TRM140 1000/5A | 1000/5 | 140 | 15 | - |
| P50152. | TRM140 1250/5A | 1250/5 | 140 | 20 | - |
| P50153. | TRM140 1500/5A | 1500/5 | 140 | 25 | - |



TRM80 2500/5A

Measuring transformers encapsulated in resin

Code: P50137.

| CODE | TYPE | Measurement Range (A) | Inner diameter (mm) | Class 0,5 Power (VA) | Class 1 Power (VA) |
|---------------|----------------|-----------------------|---------------------|----------------------|--------------------|
| P50154. | TRM140 2000/5A | 2000/5 | 140 | 30 | - |
| P50155. | TRM140 2500/5A | 2500/5 | 140 | 35 | - |
| P50156. | TRM140 3000/5A | 3000/5 | 140 | 35 | - |
| P50157. | TRM140 4000/5A | 4000/5 | 140 | 35 | - |
| TRM180 | | | | | |
| P50161. | TRM180 1250/5A | 1250/5 | 180 | 15 | - |
| P50162. | TRM180 1500/5A | 1500/5 | 180 | 20 | - |
| P50163. | TRM180 2000/5A | 2000/5 | 180 | 20 | - |
| P50164. | TRM180 2500/5A | 2500/5 | 180 | 20 | - |
| P50165. | TRM180 3000/5A | 3000/5 | 180 | 20 | - |
| P50166. | TRM180 4000/5A | 4000/5 | 180 | 20 | - |
| P50167. | TRM180 5000/5A | 5000/5 | 180 | 20 | - |

For other configurations see table of additional features

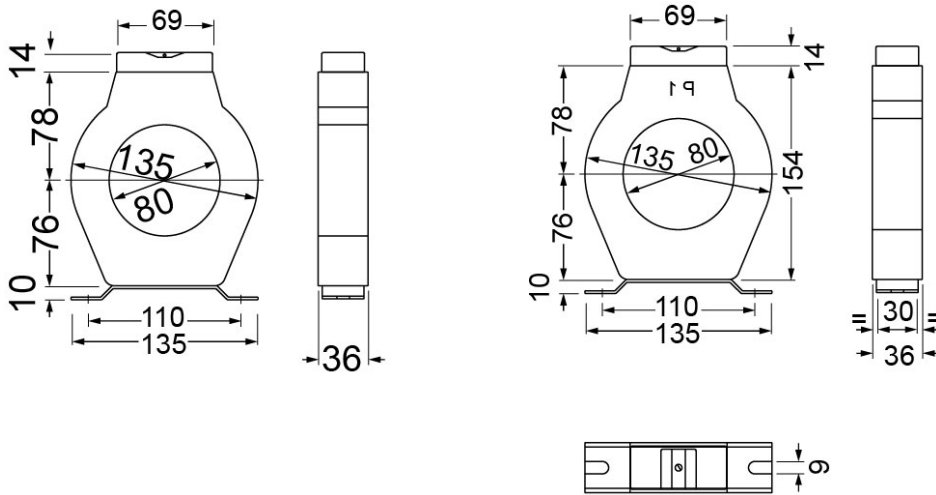


TRM80 2500/5A

Measuring transformers encapsulated in resin

Code: P50137.

Dimensions



TRM 80