



## REC4-C 2P 40 300

REC4-C-2P-40-300, RCCB with self-reclosing, 2 poles

Code: P27A31.

- > In (A): 40A
- > Reclosing mode: Time
- > Sensitivity: 300 mA
- > Breaking element: built-in
- > Type of protection: Type A

### Description

#### Description

The **REC4** is a family of 2- or 4-pole RCCBs linked to a smart reclosing motor, which makes it possible to safely reclose the corresponding RCCB. The **REC4-C** version offers the option of signalling that the maximum number of reconnections has been reached by means of a status output.

Compact device that is installed as an RCCB. There is no need to interconnect the motor and the RCCB.

The reconnection system is time-based. The device has a locking system to control operation in manual or automatic mode (reclosing enabled).

### Application

All electrical installations needing a full, continuous power supply faced with unforeseen incidents not caused by electric insulation which cause the RCCB to trip.

- Housing sector: refrigerators, alarms, garage doors
- Services sector: air conditioning, cold storage rooms, lighting, UPS, etc.
- Industry sector: control of critical production processes



## REC4-C 2P 40 300

Self-reclosing RCCB type A

Code: P27A31.

### Specifications

#### AC power supply

Installation category	CAT III 300 V
Consumption	6 VA
Frequency	50/60 Hz (± 5 %)
Nominal voltage	230 V ~ (± 20 %)

#### Mechanical characteristics

Size (mm) width x height x depth	54.5 x 112 x 81 (mm)
Envelope	Plastic V0 polycarbonate
Fastening	DIN rail
Weight (kg)	0,3

#### Environmental characteristics

Protection class	IP 20 / IK 08
Relative humidity (without condensation)	5 ... 95 %
Storage temperature	-35 ... +65 °C
Working temperature	Earth leakage protection: -25 ... +55 °C Reclosing: -10 ... +55 °C

#### Standards

Electrical safety, Maximum height (m)	2000
Electrical safety, Installation category	CAT III 300 V ~
Electrical safety, Contamination level/class	Pollution resistance 2
Standards	UNE-EN 61008-1, UNE-EN 63024

#### User interface

LED	2 LED: AUTO, color green / REC, color red
-----	---

#### Circuit breaker / RCCB

Rated conditional short-circuit current (I <sub>nc</sub> )	10 kA to 230/400V with gB 80A fuse
Nominal current (I <sub>n</sub> )	40 A
Assigned frequency (Hz)	50/60
Rated breaking and re-closure capacity (I <sub>m</sub> )	500 A
Shock wave resistance	Class A, AC: 250A 8/20µs Class S: 3000A 8/20µs
Rated nominal voltage (U <sub>n</sub> )	230 V ~

#### Differential protection

Sensitivity (I <sub>Δn</sub> ), A	0,3
Delay time (t <sub>Δ</sub> )	INS



## REC4-C 2P 40 300

Self-reclosing RCCB type A

Code: P27A31.

### Protection

Safety relay type (class)	Class A ( IEC 61008.1)
Circuit breaker type	Circuit breaker / RCCB

### Reclosure type

Reclosure number	3
Reset time	10/20/60 s
Reclosure time	3/20/180 s

### REC4-C

RCCB with self-reclosing system, type A with status output

CODE	TYPE	Poles	In (A)	Reclosing mode	Sensitivity	Type of protection
P27A21.	REC4-C 2P 40 30	2	40A	Time	30 mA	Type A
P27A31.	REC4-C 2P 40 300	2	40A	Time	300 mA	Type A
P27A23.	REC4-C 2P 63 30	2	63 A	Time	30 mA	Type A
P27A33.	REC4-C 2P 63 300	2	63 A	Time	300 mA	Type A
P27F21.	REC4-C 4P 40 30	4	40A	Time	30 mA	Type A
P27F31.	REC4-C 4P 40 300	4	40A	Time	300 mA	Type A
P27F23.	REC4-C 4P 63 30	4	63 A	Time	30 mA	Type A
P27F33.	REC4-C 4P 63 300	4	63 A	Time	300 mA	Type A

3 reconnections: 3, 20, 180 s. Consult reference for different modes of operation of the status output.

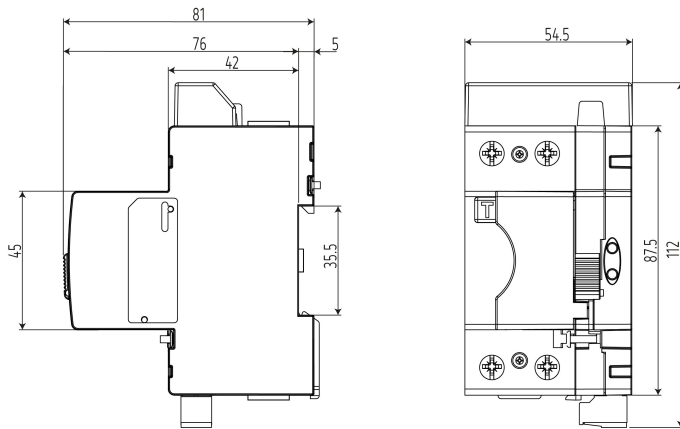


## REC4-C 2P 40 300

Self-reclosing RCCB type A

Code: P27A31.

### Dimensions



### Connections

