



REC4-C 2P 40 30

REC4-C-2P-40-30, RCCB with self-reclosing, 2 poles

Code: P27A21.

- > In (A): 40A
- > Reclosing mode: Time
- > Sensitivity: 30 mA
- > Breaking element: built-in
- > Type of protection: Type A

Description

Description

The **REC4** is a family of 2- or 4-pole RCCBs linked to a smart reclosing motor, which makes it possible to safely reclose the corresponding RCCB. The **REC4-C** version offers the option of signalling that the maximum number of reconnections has been reached by means of a status output.

Compact device that is installed as an RCCB. There is no need to interconnect the motor and the RCCB.

The reconnection system is time-based. The device has a locking system to control operation in manual or automatic mode (reclosing enabled).

Application

All electrical installations needing a full, continuous power supply faced with unforeseen incidents not caused by electric insulation which cause the RCCB to trip.

- Housing sector: refrigerators, alarms, garage doors
- Services sector: air conditioning, cold storage rooms, lighting, UPS, etc.
- Industry sector: control of critical production processes



REC4-C 2P 40 30

Self-reclosing RCCB type A

Code: P27A21.

Specifications

AC power supply

Installation category	CAT III 300 V
Consumption	6 VA
Frequency	50/60 Hz (± 5 %)
Nominal voltage	230 V ~ (± 20 %)

Mechanical characteristics

Size (mm) width x height x depth	54.5 x 112 x 81 (mm)
Envelope	Plastic V0 polycarbonate
Fastening	DIN rail
Weight (kg)	0,3

Environmental characteristics

Protection class	IP 20 / IK 08
Relative humidity (without condensation)	5 ... 95 %
Storage temperature	-35 ... +65 °C
Working temperature	Earth leakage protection: -25 ... +55 °C Reclosing: -10 ... +55 °C

Standards

Electrical safety, Maximum height (m)	2000
Electrical safety, Installation category	CAT III 300 V ~
Electrical safety, Contamination level/class	Pollution resistance 2
Standards	UNE-EN 61008-1, UNE-EN 63024

User interface

LED	2 LED: AUTO, color green / REC, color red
-----	---

Circuit breaker / RCCB

Rated conditional short-circuit current (Inc)	10 kA to 230/400V with gB 80A fuse
Nominal current (In)	40 A
Assigned frequency (Hz)	50/60
Rated breaking and re-closure capacity (Im)	500 A
Shock wave resistance	Class A, AC: 250A 8/20µs Class S: 3000A 8/20µs
Rated nominal voltage (Un)	230 V ~

Differential protection

Sensitivity (IΔn), A	0,03
Delay time (tΔ)	INS



REC4-C 2P 40 30

Self-reclosing RCCB type A

Code: P27A21.

Protection

Safety relay type (class)	Class A (IEC 61008.1)
Circuit breaker type	Circuit breaker / RCCB

Reclosure type

Reclosure number	3
Reset time	10/20/60 s
Reclosure time	3/20/180 s

REC4-C

RCCB with self-reclosing system, type A with status output

CODE	TYPE	Poles	In (A)	Reclosing mode	Sensitivity	Type of protection
P27A21.	REC4-C 2P 40 30	2	40A	Time	30 mA	Type A
P27A31.	REC4-C 2P 40 300	2	40A	Time	300 mA	Type A
P27A23.	REC4-C 2P 63 30	2	63 A	Time	30 mA	Type A
P27A33.	REC4-C 2P 63 300	2	63 A	Time	300 mA	Type A
P27F21.	REC4-C 4P 40 30	4	40A	Time	30 mA	Type A
P27F31.	REC4-C 4P 40 300	4	40A	Time	300 mA	Type A
P27F23.	REC4-C 4P 63 30	4	63 A	Time	30 mA	Type A
P27F33.	REC4-C 4P 63 300	4	63 A	Time	300 mA	Type A

3 reconnections: 3, 20, 180 s. Consult reference for different modes of operation of the status output.

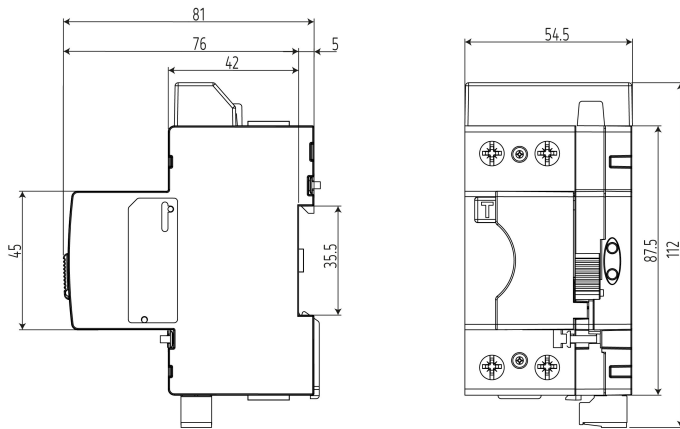


REC4-C 2P 40 30

Self-reclosing RCCB type A

Code: P27A21.

Dimensions



Connections

