



REC4-4P-63-300

REC4-4P-63-300, RCCB with self-reclosing system, type A

Code: P26F33.

- > Poles: 4
- > In (A): 63 A
- > Reclosing mode: Time
- > Sensitivity: 300 mA
- > Breaking element: built-in
- > Type of protection: Type A

Specifications

AC power supply

Installation category	CAT III 300 V
Consumption	5 VA
Frequency	50/60 Hz (± 5 %)
Nominal voltage	230 V ~ (± 20 %)

Mechanical characteristics

Size (mm) width x height x depth	90.5 x 103 x 81 (mm)
Envelope	Plastic V0 polycarbonate
Fastening	DIN rail
Weight (kg)	0,41

Environmental characteristics

Protection class	IP 20
Relative humidity (without condensation)	5 ... 95 %
Storage temperature	-35 ... +65 °C
Working temperature	Earth leakage protection: -25 ... +55 °C Reclosing: -10 ... +55 °C

Standards

Electrical safety, Maximum height (m)	2000
Electrical safety, Installation category	CAT III 300 V ~
Electrical safety, Contamination level/class	Pollution resistance 2
Standards	UNE-EN 61008-1, UNE-EN 63024

User interface

LED	2 LED: AUTO, color green / REC, color red
-----	---

Circuit breaker / RCCB

Rated conditional short-circuit current (I _{nc})	10 kA to 230/400V with gB 80A fuse
Nominal current (I _n)	63 A
Assigned frequency (Hz)	50/60
Rated breaking and re-closure capacity (I _m)	500 A
Shock wave resistance	Class A, AC: 250A 8/20µs Class S: 3000A 8/20µs



REC4-4P-63-300

Self-reclosing RCCB

Code: P26F33.

Rated nominal voltage (Un) 400 V ~

Differential protection

Type	Type A
Sensitivity (I Δ n), A	0,3
Delay time (t Δ)	INS

Reclosure type

Reclosure number	3
Reset time	10/20/60 s
Reclosure time	< 3/20/180 s

REC4

RCCB with self-reclosing system, type A

CODE	TYPE	Poles	In (A)	Reclosing mode	Breaking element
Domestic					
P26A21.	REC4-2P-40-30	2	40 A	Insulation	built-in
P26A31.	REC4-2P-63-30	2	63 A	Insulation	built-in
Industrial, tertiary					
P26A23.	REC4-2P-40-300	2	40 A	Time	built-in
P26A33.	REC4-2P-63-300	2	63 A	Time	built-in
P26F21.	REC4-4P-40-30	4	40 A	Time	built-in
P26F23.	REC4-4P-40-300	4	40 A	Time	built-in
P26F31.	REC4-4P-63-30	4	63 A	Time	built-in
P26F33.	REC4-4P-63-300	4	63 A	Time	built-in

3 reconnections: 3, 20, 180 s.

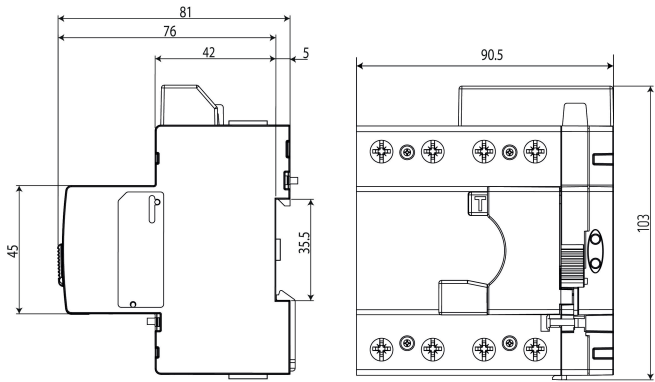


REC4-4P-63-300

Self-reclosing RCCB

Code: P26F33.

Dimensions



Connections

