



CBS-400B

CBS-400B, Station with 4 programmable residual current relays, type B

Code: P12721.

- > Protocol: Modbus/RTU
- > Módulos: 3
- > Pre-alarm relay: Yes
- > Communications: RS-485
- > N° relays: 4
- > $I_{\Delta n}$ (A): 0,03 ... 3 A
- > Power supply: 230 Vac
- > Delay: 0,1 ... 5 s, INS, SEL
- > Mounting: DIN rail

Description

The residual current current intensity monitoring and protection relay (**IEC 62020**), compatible with the **WGB** series, for type B loads (**IEC 60755**) and with 4 totally independent channels.

High-performance relay with the following main features and functions:

- Electronic relay with relay output (up to 4 channels)
- Measures in alternating, continuous or mixed current (Type B according to **IEC 60755**)
- It measures and displays the current intensity of each of the 4 channels independently, through the connection to the **WGB**-series residual current transformer.
- Fully programmable with display showing instantaneous leakage current in real time on a high-contrast backlight display (display turns red when the relay trips).
- Integrated RS-485 (Modbus) communications
- Pre-alarm relay
- Event log
- Remote control input.

Application

Residual current protection or monitoring of single-phase or three-phase electrical loads in alternating current with continuous components, with frequencies up to 2 kHz, such as:

- Variable speed drives
- UPS
- Photovoltaic Installations
- Electric Vehicle Charging
- Active filters



CBS-400B

Type-B earth leakage monitoring and protection relay with 4 channels

Code: P12721.

Specifications

AC power supply

Installation category	CAT III 300V
Consumption	11 VA
Frequency	50 ... 60 Hz
Nominal voltage	230 V~ (± 15 %)

Mechanical characteristics

Size (mm) width x height x depth	52,5 x 118 x 74 (mm)
Envelope	Self-extinguishing V0 plastic
Weight (kg)	0,188

Environmental characteristics

Protection class	IP 30, IP 40 (Vorderseite)
Relative humidity (without condensation)	5 ... 95 %
Storage temperature	-20 ... +70 °C
Working temperature	-10 ... +50 °C

Digital inputs

Input impedance	2 kΩ
Input/output insulation	5.3 kV
Type	Potential-free contact

Standards

Electrical safety, Maximum height (m)	2000
Electrical safety, Contamination level/class	2
Standards	IEC 60947-2-M, Measurement conditions for type B waveforms specified in IEC 60755, UNE-EN 60068-2-1, UNE-EN60068-2-2, UNE-EN 60068-2-78

User interface

LED	2
Keyboard	3 keys
Display type	LCD (negative)

Digital relay outputs

Quantity	4
Maximum current	6 A
Maximum open contact voltage	230 V ~
Electrical life	60 × 10 ³ (250 V ~ / 5A)



CBS-400B

Type-B earth leakage monitoring and protection relay with 4 channels

Code: P12721.

Mechanical life	10 x 10 ⁶
Maximum switching capacity	1500 VA
Digital transistor outputs	
Type	Optocoupled
Maximum current	0.1 A
Maximum voltage	230 V ~
Differential protection	
Delay time (t _Δ)	INS - [S]-0.1-0.2-0.3-0.4-0.5-0.8-1-3-5 s
Serial communication	
Protocol	Modbus/RTU
Technology / Type	RS-485

CBS-400B

4 type B residual current channels

CODE	TYPE	N° relays	Communications	Protocol	Módulos	Pre-alarm relay	I _{Δn} (A)	Power supply
P12721.	CBS-400B	4	RS-485	Modbus/RTU	3	Yes	0,03 ... 3 A	230 Vac

Associated with WGB-type residual current transformers

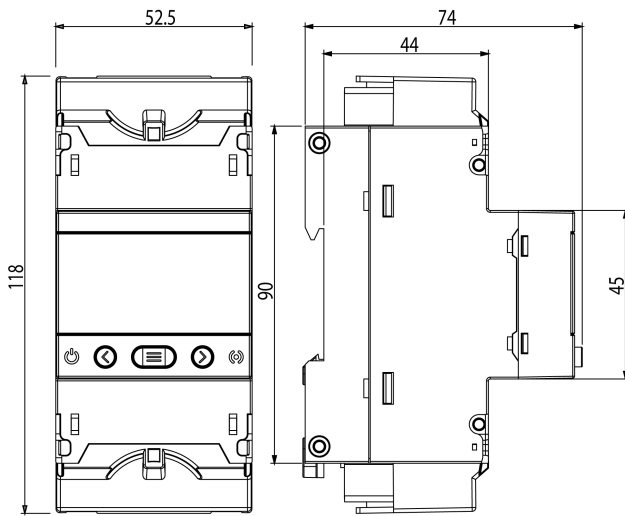


CBS-400B

Type-B earth leakage monitoring and protection relay with 4 channels

Code: P12721.

Dimensions



Connections

