

WGC-350x150-TB

Code: P11760. DESCATALOGADO

Specifications

AC power supply, insulation

Pulse test (kV)	3 kV
-----------------	------

Mechanical characteristics

Size (mm) width x height x depth	479 x 279 x 50.2 (mm)
Envelope	Self-extinguishing polycarbonate UL 94 V0
Fastening	DIN rail with accessory
Connection type	Screw terminal (Pz type)
Weight (kg)	6,8

Environmental characteristics

Protection class	IP 20 (Terminals) IEC 60529
Relative humidity (without condensation)	5 ... 95 %
Working temperature	-20 ... + 70 °C

Current measurement circuit

Dynamic current (Idyn)	2,5 Ith
Permanent thermal current (Icth)	60 A
Thermal short-circuit current (Ith)	1,8 kA / 1s
Transformation ratio	30 / 0,06 A
Maximum operating voltage (Um)	720 V

Standards

Electrical safety, Maximum height (m)	2000
Electrical safety, Installation category	CAT III

Measurement accuracy

Accuracy	10 ... 15 %
----------	-------------

WGC-TB

Residual current transformers for type-B relays

CODE	TYPE	Inner diameter (mm)	In (A)
Only for RGU-10B			
P11731.	WGS-20-TB	20	63
P11751.	WGC-25-TB	25	63
P11752.	WGC-35-TB	35	80
P11753.	WGC-55-TB	55	160



WGC-350x150-TB

Residual current transformers for type-B residual current relays

Code: P11760.

CODE	TYPE	Inner diameter (mm)	In (A)
P11755.	WGC-80-TB	80	250
P11756.	WGC-110 TB	110	400
P11757.	WGC-140 TB	140	600
P11758.	WGC-180 TB	180	800

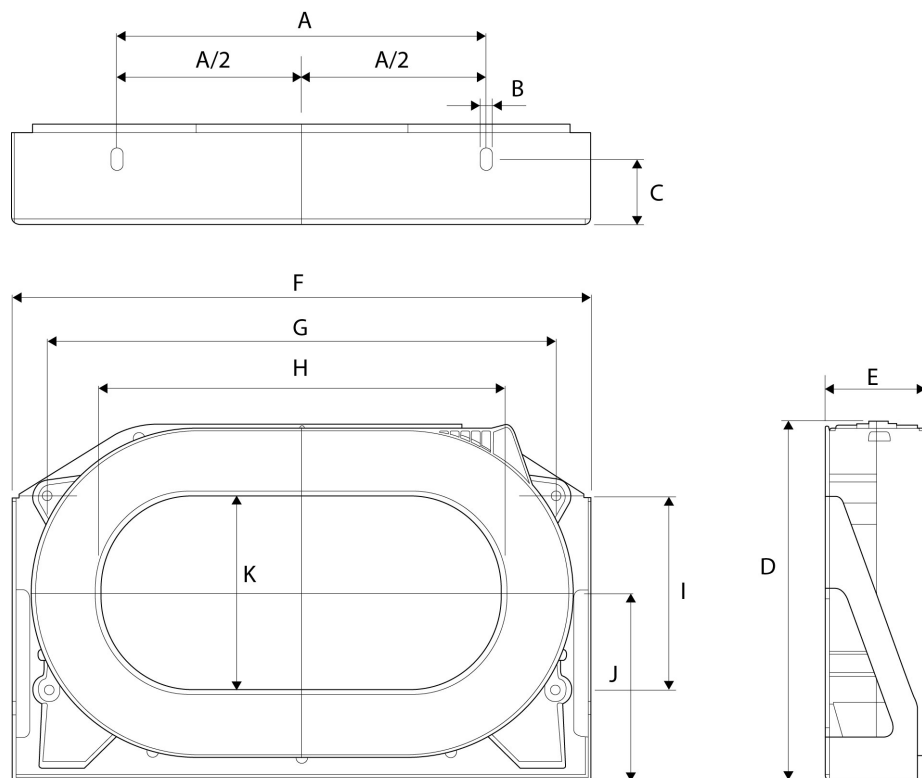


WGC-350x150-TB

Residual current transformers for type-B residual current relays

Code: P11760.

Dimensions



Type	A	B	C	D	E	F	G	H	I	J	K
WGC 220x105	200	7	35	195	54,2	314	275	220	105	102	105
WGC 350x150	340	7	30	279	50,2	479	430	350	165	143	150
WGC 500x200	460	7	40	306	64	614	550	500	180	155	200