

# WGC-220x105-TB

Code: P11759. DESCATALOGADO

## Specifications

### AC power supply, insulation

Pulse test (kV)	3 kV
-----------------	------

### Mechanical characteristics

Size (mm) width x height x depth	314 x 195 x 54.2 (mm)
Envelope	Self-extinguishing polycarbonate UL 94 V0
Fastening	DIN rail with accessory (see code)
Connection type	Screw terminal (Pz type)
Weight (kg)	3,9

### Environmental characteristics

Protection class	IP 20 (Terminals) IEC 60529
Relative humidity (without condensation)	5 ... 95 %
Working temperature	-20 ... + 70 °C

### Current measurement circuit

Dynamic current (Idyn)	2,5 Ith
Permanent thermal current (Icth)	60 A
Thermal short-circuit current (Ith)	1,8 kA / 1s
Transformation ratio	30 / 0,06 A
Maximum operating voltage (Um)	720 V

### Standards

Electrical safety, Maximum height (m)	2000
Electrical safety, Installation category	CAT III

### Measurement accuracy

Accuracy	10 ... 15 %
----------	-------------

### WGC-TB

Residual current transformers for type-B relays

CODE	TYPE	Inner diameter (mm)	In (A)
<b>Only for RGU-10B</b>			
P11731.	WGS-20-TB	20	63
P11751.	WGC-25-TB	25	63
P11752.	WGC-35-TB	35	80
P11753.	WGC-55-TB	55	160



## WGC-220x105-TB

---

Residual current transformers for type-B residual current relays

Code: P11759.

CODE	TYPE	Inner diameter (mm)	In (A)
P11755.	WGC-80-TB	80	250
P11756.	WGC-110 TB	110	400
P11757.	WGC-140 TB	140	600
P11758.	WGC-180 TB	180	800

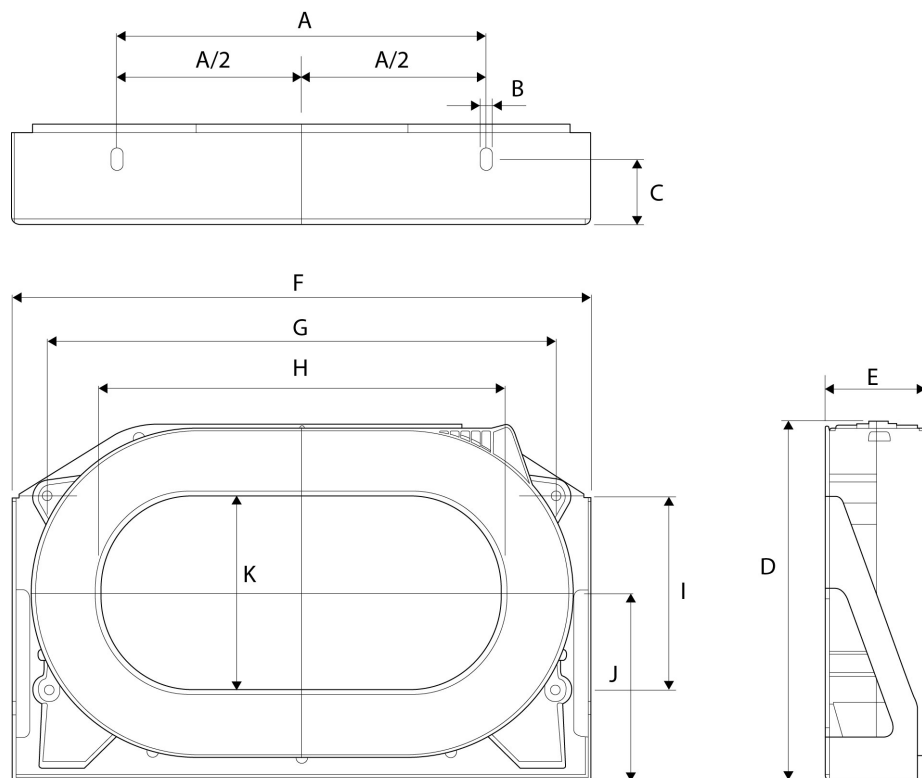


## WGC-220x105-TB

Residual current transformers for type-B residual current relays

Code: P11759.

### Dimensions



Type	A	B	C	D	E	F	G	H	I	J	K
WGC 220x105	200	7	35	195	54,2	314	275	220	105	102	105
WGC 350x150	340	7	30	279	50,2	479	430	350	165	143	150
WGC 500x200	460	7	40	306	64	614	550	500	180	155	200