



WGC-180 TB

WGC-180 TB, Residual current transformer

Code: P11758.

- > Usefull diam.(mm): 180
- > I Δ n min.(A): 0.5
- > Max. Current (A): 800

Specifications

AC power supply, insulation

Pulse test (kV)	3 kV
-----------------	------

Mechanical characteristics

Size (mm) width x height x depth	252 x 256 x 50 (mm)
Envelope	Self-extinguishing polycarbonate UL 94 V0
Fastening	DIN rail with accessory (see code)
Connection type	Screw terminal (Pz type)
Weight (kg)	0,2

Environmental characteristics

Protection class	IP 20 (Terminals) IEC 60529
------------------	-----------------------------

Current measurement circuit

Dynamic current (Idyn)	2,5 Ith
Permanent thermal current (Icth)	6 A
Thermal short-circuit current (Ith)	1,8 kA / 1s
Maximum operating voltage (Um)	720 V

Standards

Standards	IEC 60664-1, IEC 60664-3, IEC 61869-2
-----------	---------------------------------------

Measurement accuracy

Accuracy	10 ... 15 %
----------	-------------

Differential protection

Type	Type B
------	--------

WGC-TB

Residual current transformers for type-B relays

CODE	TYPE	Usefull diam.(mm)
P11731.	WGS-20-TB	20
P11751.	WGC-25-TB	25
P11752.	WGC-35-TB	35



WGC-180 TB

Residual current transformers for type-B residual current relays

Code: P11758.

CODE	TYPE	Usefull diam.(mm)
P11753.	WGC-55-TB	55
P11755.	WGC-80-TB	80
P11756.	WGC-110 TB	110
P11757.	WGC-140 TB	140
P11758.	WGC-180 TB	180

Only for RGU-10B type relays

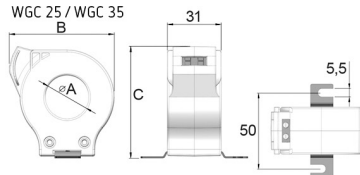


WGC-180 TB

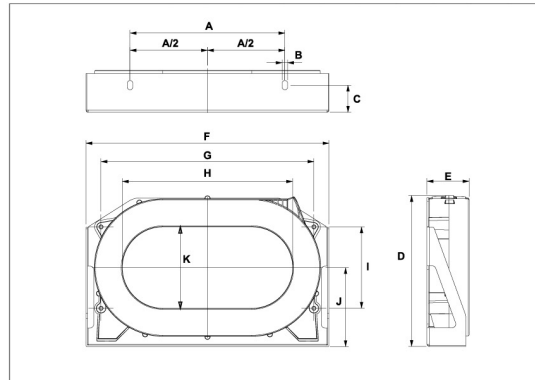
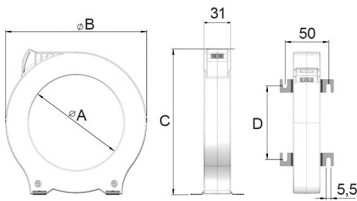
Residual current transformers for type-B residual current relays

Code: P11758.

Dimensions



WGC 55 / WGC 80
WGC 110 / WGC 140



Modelo	A	B	C	D
WGC 25	25	60,5	64	
WGC 35	35	70,5	75,5	
WGC 55	55	92	98	38
WGC 80	80	124,5	130	60
WGC 110	110	163	168	84,5
WGC 140	140	201	206	110
WGC 180	180	252	256	144

	A	B	C	D	E	F	G	H	I	J	K
WGC 220x105	200	7	35	195	54,2	314	275	220	105	102	105
WGC 350x150	340	7	30	279	50,2	479	430	350	165	143	150
WGC 500x200	460	7	40	306	64	614	550	500	180	155	200