



WGC-80-TB

WGC-80-TB, Residual current transformer

Code: P11755.

- > Usefull diam.(mm): 80
- > I Δ n min.(A): 0.5
- > Max. Current (A): 250

Specifications

AC power supply, insulation

Pulse test (kV)	3 kV
-----------------	------

Mechanical characteristics

Size (mm) width x height x depth	124.5 x 130 x 50 (mm)
Envelope	Self-extinguishing polycarbonate UL 94 V0
Fastening	DIN rail with accessory (see code)
Connection type	Screw terminal (Pz type)
Weight (kg)	0,249

Environmental characteristics

Protection class	IP 20 (Terminals) IEC 60529
------------------	-----------------------------

Current measurement circuit

Dynamic current (I _{dyn})	2,5 I _{th}
Permanent thermal current (I _{cth})	6 A
Thermal short-circuit current (I _{th})	1,8 kA / 1s
Maximum operating voltage (U _m)	720 V

Standards

Standards	IEC 60664-1, IEC 60664-3, IEC 61869-2
-----------	---------------------------------------

Measurement accuracy

Accuracy	10 ... 15 %
----------	-------------

Differential protection

Type	Type B
------	--------

WGC-TB

Residual current transformers for type-B relays

CODE	TYPE	Inner diameter (mm)	In (A)	Cable (m)
Only for RGU-10B				
P11731.	WGS-20-TB	20	63	
P11751.	WGC-25-TB	25	63	



WGC-80-TB

Residual current transformers for type-B residual current relays

Code: P11755.

CODE	TYPE	Inner diameter (mm)	In (A)	Cable (m)
P11752.	WGC-35-TB	35	80	
P11753.	WGC-55-TB	55	160	
P11755.	WGC-80-TB	80	250	
P11756.	WGC-110 TB	110	400	
P11757.	WGC-140 TB	140	600	
P11758.	WGC-180 TB	180	800	
Only for RGU-110B				
P11760.	WGC-350x150-TB	350 x 150	2000	-
P11761.	WGC-500x200-TB	500 x 200	4000	-

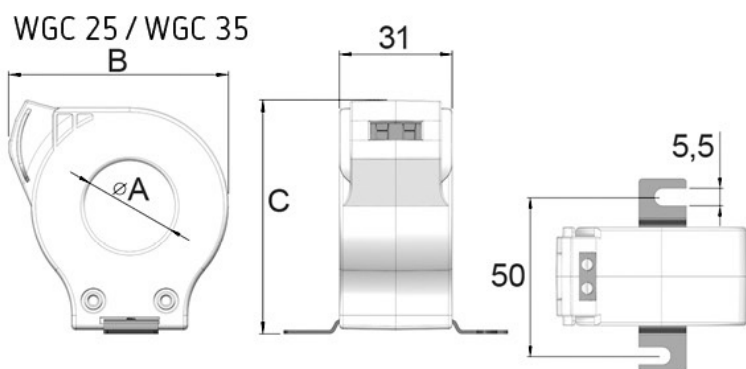


WGC-80-TB

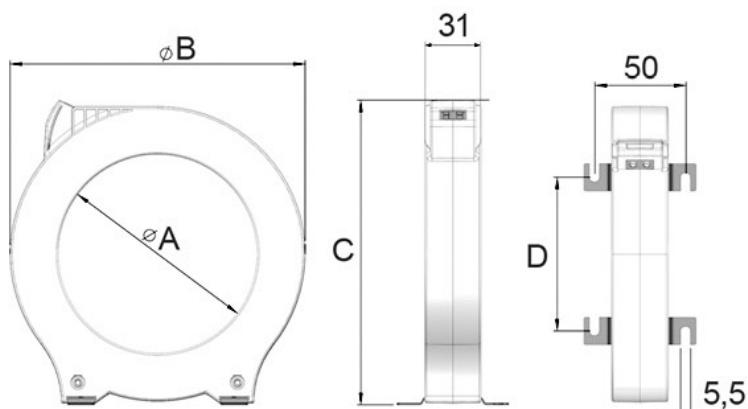
Residual current transformers for type-B residual current relays

Code: P11755.

Dimensions



WGC 55 / WGC 80
WGC 110 / WGC 140



Modelo	A	B	C	D
WGC 25	25	60,5	64	
WGC 35	35	70,5	75,5	
WGC 55	55	92	98	38
WGC 80	80	124,5	130	60
WGC 110	110	163	168	84,5
WGC 140	140	201	206	110
WGC 180	180	252	256	144