



STQ-24 300/1A

Split-core current Transformers

Code: M7371A0010000

Specifications

Electrical characteristics

Safety factor (SF)	5
Power	1 VA (class 1)
Insulation voltage between terminals S1-S2	3 kV

Mechanical characteristics

Size (mm) width x height x depth	53 x 70 x 43.2 (mm)
Envelope	PC Lexan™ 940-701
Weight (kg)	0,272

Environmental characteristics

Thermal Class	Class B (+130 °C)
Protection class	IP 20
Relative humidity (without condensation)	15 ... 85%
Storage temperature	-20 ... 75 °C
Working temperature	-5 ... +40 °C

Specific technical characteristics of current sensors

Inner diameter Ø (mm)	24
Operating voltage	0,72 kV~ máx.

Current measurement circuit

Nominal frequency	50 / 60 Hz
Primary current measurement	300 A
Allowable overload	1,2 I _n
Dynamic current (I _{dyn})	2,5 I _{th}
Thermal short-circuit current (I _{th})	60 I _n
Transformation ratio	... / 1 A

Standards

Electrical safety, Maximum height (m)	1000
Standards	UNE-EN 61869-1, UNE-EN 61869-2

Measurement accuracy

Accuracy	Clase 1/3
----------	-----------

STQ

Current transformers, split core



STQ-24 300/1A

Split-core current Transformers

Code: M7371A0010000

CODE	TYPE	Measurement Range (A)	Class 1 Power (VA)	Class 3 Power (VA)
5A				
M73715.	STQ-24 100/5A	100/5	-	1
M73717.	STQ-24 150/5A	150/5	-	1
M73718.	STQ-24 200/5A	200/5	-	1
M73719.	STQ-24 250/5A	250/5	1	-
M7371A.	STQ-24 300/5A	300/5	1	-
1A				
M737150010000	STQ-24 100/1A	100/1	-	1
M737170010000	STQ-24 150/1A	150/1	-	1
M737180010000	STQ-24 200/1A	200/1	-	1
M737190010000	STQ-24 250/1A	250/1	1	-
M7371A0010000	STQ-24 300/1A	300/1	1	-
250mA				
M7371200A0000	STQ-24 50/250 mA	50/250 mA	-	0,1
M7371500A0000	STQ-24 100/250 mA	100/250 mA	-	0,1
M7371700A0000	STQ-24 150/250 mA	150/250 mA	-	0,1
M7371800A0000	STQ-24 200/250 mA	200/250 mA	-	0,1
M7371900A0000	STQ-24 250/250 mA	250/250 mA	0,1	-
M7371A00A0000	STQ-24 300/250 mA	300/250 mA	0,1	-

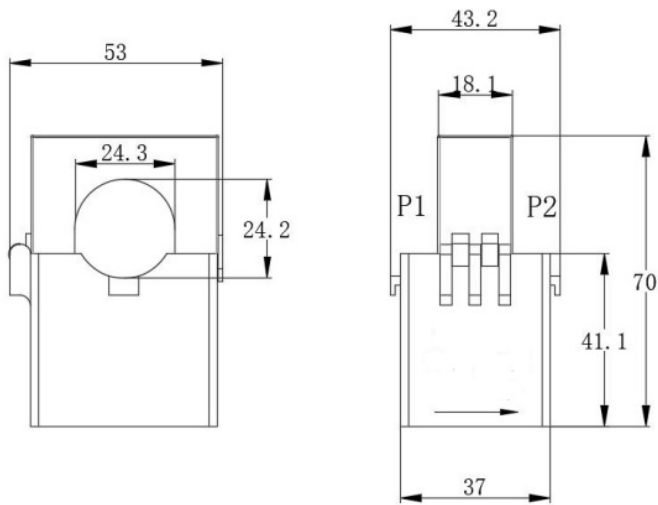


STQ-24 300/1A

Split-core current Transformers

Code: M7371A0010000

Dimensions



Connections

