



MC3 - 125 A

MC3 - 125 A, Three-phase current transformers

Code: M73122.

- > Inner diameter (mm): 14,6
- > System: Three-phase
- > Class 0,5 Power (VA): 0,1
- > Max. Current (A): 125
- > Transformer type: Closed core

Description

Current transformers specifically designed to be installed above a switch:

- Transformer range from 63 to 250 A
- Secondary 250 mA
- Compatible with **CIRCUITOR's MC** range of products: **CVM-MINI, CVM-NET, CVM-NET4, CVM-C, CVM-B, CDP-0, CDP-G**

Application

Installation in confined spaces, utilizing the space above the circuit breakers and earth leakage protection In installations that allow the power supply to be shut down for the installation of transformers.



MC3 - 125 A

Three-phase efficient current transformers

Code: M73122.

Specifications

Electrical characteristics

| | |
|--|--------------------|
| Safety factor (SF) | FS 5 |
| Power | 0.1 VA (Class 0,5) |
| Insulation voltage between terminals S1-S2 | 3 kV |

Mechanical characteristics

| | |
|----------------------------------|-------------------------------|
| Size (mm) width x height x depth | 88.5 x 25.2 x 41 (mm) |
| Envelope | Plastic V0 self-extinguishing |
| Weight (kg) | 0,138 |

Environmental characteristics

| | |
|------------------|-------------------|
| Thermal Class | Class B (+130 °C) |
| Protection class | IP 20 |

Specific technical characteristics of current sensors

| | |
|-----------------------|---------------|
| Inner diameter Ø (mm) | 14,6 |
| Operating voltage | 0,72 kV~ máx. |

Current measurement circuit

| | |
|-------------------------------------|-------------|
| Nominal frequency | 50 / 60 Hz |
| Primary current measurement | 125 A |
| Dynamic current (Idyn) | 2,5 Ith |
| Thermal short-circuit current (Ith) | 60 In |
| Transformation ratio | .../ 250 mA |

Standards

| | |
|-----------|-------------|
| Standards | IEC 60044-1 |
|-----------|-------------|

Measurement accuracy

| | |
|----------|-----------|
| Accuracy | Clase 0,5 |
|----------|-----------|

MC3

Three-phase current transformers

| CODE | TYPE | Measurement Range (A) | Inner diameter (mm) | Class 0,5 Power (VA) |
|---------|-------------|-----------------------|---------------------|----------------------|
| M73121. | MC3 - 63 A | 63 | 7,1 | 0,1 |
| M73122. | MC3 - 125 A | 125 | 14,6 | 0,1 |
| M73123. | MC3 - 250 A | 250 | 26 | 0,1 |



MC3 - 125 A

Three-phase efficient current transformers

Code: M73122.

The MC/SC3 transformers with a 250 mA output are only compatible with network analysers type MC

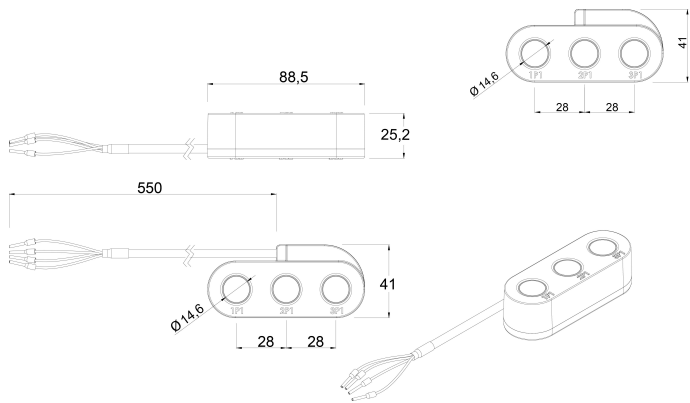


MC3 - 125 A

Three-phase efficient current transformers

Code: M73122.

Dimensions



Connections

