



## MC3 - 63 A

MC3 - 63 A, Three-phase current transformers

Code: M73121.

- > Inner diameter (mm): 7,1
- > System: Three-phase
- > Class 0,5 Power (VA): 0,1
- > Max. Current (A): 63
- > Transformer type: Closed core

### Description

Current transformers specifically designed to be installed above a switch:

- Transformer range from 63 to 250 A
- Secondary 250 mA
- Compatible with **CIRCUITOR's MC** range of products: **CVM-MINI, CVM-NET, CVM-NET4, CVM-C, CVM-B, CDP-0, CDP-G**

### Application

Installation in confined spaces, utilizing the space above the circuit breakers and earth leakage protection In installations that allow the power supply to be shut down for the installation of transformers.



## MC3 - 63 A

Three-phase efficient current transformers

Code: M73121.

### Specifications

#### Electrical characteristics

Safety factor (SF)	FS 5
Power	0.1 VA (Class 0,5)
Insulation voltage between terminals S1-S2	3 kV

#### Mechanical characteristics

Size (mm) width x height x depth	59.7 x 24.7 x 31.7 (mm)
Envelope	Plastic V0 self-extinguishing
Weight (kg)	0,102

#### Environmental characteristics

Thermal Class	Class B (+130 °C)
Protection class	IP 20

#### Specific technical characteristics of current sensors

Inner diameter Ø (mm)	7,1
Operating voltage	0,72 kV~ máx.

#### Current measurement circuit

Nominal frequency	50 / 60 Hz
Primary current measurement	63 A
Dynamic current (Idyn)	2,5 Ith
Thermal short-circuit current (Ith)	60 In
Transformation ratio	.../ 250 mA

#### Standards

Standards	IEC 60044-1
-----------	-------------

#### Measurement accuracy

Accuracy	Clase 0,5
----------	-----------

#### MC3

Three-phase current transformers

CODE	TYPE	Measurement Range (A)	Inner diameter (mm)	Class 0,5 Power (VA)
M73121.	MC3 - 63 A	63	7,1	0,1
M73122.	MC3 - 125 A	125	14,6	0,1
M73123.	MC3 - 250 A	250	26	0,1



## MC3 - 63 A

---

Three-phase efficient current transformers

Code: M73121.

---

The MC/SC3 transformers with a 250 mA output are only compatible with network analysers type MC

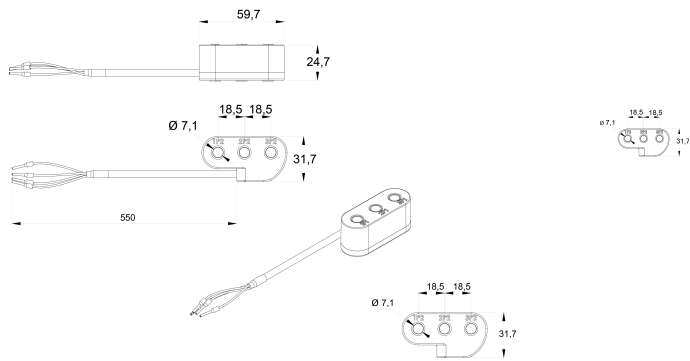


# MC3 - 63 A

Three-phase efficient current transformers

Code: M73121.

## Dimensions



## Connections

