



MC1-20-150/200/250 A

MC1-20-150/200/250 A, Current transformer

Code: M73113.

- > Inner diameter (mm): 20
- > System: Single-phase
- > Class 0,5 Power (VA): 0,25
- > Measurement Range (A): 150/200/250
- > Max. Current (A): 250
- > Input current: 150/200/250 A
- > Transformer type: Closed core

Description

The transformers of the MC1 range are efficient current transformers. This range of transformers offers a measurement range from 150...2,000 A. They operate with a 250 mA secondary and feature 3 measurement ranges in the same transformer: simply changing a connection cable and the ratio selected in the measurement unit. MC1 transformers are only compatible with CIRCUTOR's MC range.

Application

- In installations where the electric supply can be interrupted to install transformers.
- Very useful for installing in places where the exact nominal current range is not known.



MC1-20-150/200/250 A

Current transformers, MC1 single-phase

Code: M73113.

Specifications

Electrical characteristics

Safety factor (SF)	FS 5
Power	0.25 VA (Class 0,5)
Insulation voltage between terminals S1-S2	3 kV

Mechanical characteristics

Size (mm) width x height x depth	32 x 46 x 46 (mm)
Envelope	Plastic V0 self-extinguishing
Fastening	DIN rail with accessory
Weight (kg)	0,061

Environmental characteristics

Thermal Class	Class B (+130 °C)
Protection class	IP 20

Specific technical characteristics of current sensors

Inner diameter Ø (mm)	20
Operating voltage	0,72 kV~ máx.

Current measurement circuit

Nominal frequency	50 / 60 Hz
Primary current measurement	150 / 200 / 250
Dynamic current (I _{dyn})	2,5 I _{th}
Thermal short-circuit current (I _{th})	60 I _n
Transformation ratio	... / 250 mA

Standards

Standards	IEC 60044-1
-----------	-------------

Measurement accuracy

Accuracy	Clase 0,5
----------	-----------

MC1

Triple scale single-phase efficient transformers

CODE	TYPE	Measurement Range (A)	Inner diameter (mm)	Class 0,5 Power (VA)
M73112.	MC1-15-75	75	15	0,25



MC1-20-150/200/250 A

Current transformers, MC1 single-phase

Code: M73113.

CODE	TYPE	Measurement Range (A)	Inner diameter (mm)	Class 0,5 Power (VA)
M73118.	MC1-20-50/100/150 A	50/100/150	20	0,25
M73116.	MC1-35-50/100/150 A	50/100/150	35	0,25
M73113.	MC1-20-150/200/250 A	150/200/250	20	0,25
M73114.	MC1-30-250/400/500 A	250/400/500	30	0,25
M73115.	MC1-55-500/1000/1500 A	500/1000/1500	55	0,25
M73117.	MC1-80 1000/1500/2000 A	1000/1500/2000	80	0,25

The MC/SC3 transformers with a 250 mA output are only compatible with network analysers type MC

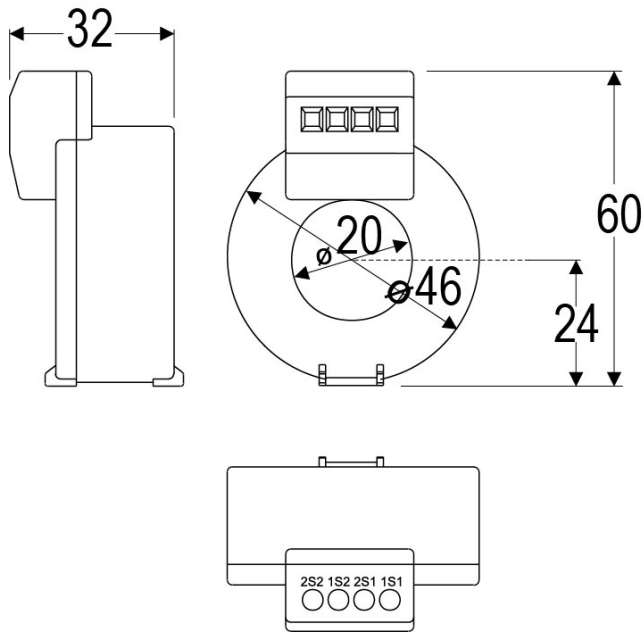


MC1-20-150/200/250 A

Current transformers, MC1 single-phase

Code: M73113.

Dimensions



Connections

