



## TM45 30 /5A

TM45 30 /5A, Current transformers, winding primary, DIN rail

Code: M70606.

- > System: Single-phase
- > Class 0,5 Power (VA): 2,5
- > Class 1 Power (VA): 5
- > Class 3 Power (VA): 7
- > Measurement Range (A): 30 /5
- > Input current: 30 A
- > Transformer type: Winding primary

### Description

- Types: from 1 to 40 A
- Wound primary
- Assembly on DIN rail

### Application

Converting a high nominal current to a lower current so that it can be measured by the unit. In installations where the nominal current is not too high or a transformer has to be installed on the DIN rail.



## TM45 30 /5A

Current transformers, busbar and winding primary

Code: M70606.

### Specifications

#### Electrical characteristics

Safety factor (SF)	FS < 5
Power	2.5 VA (Class 0,5)

#### Mechanical characteristics

Size (mm) width x height x depth	52.5 x 85 x 70 (mm)
Envelope	Plastic wrap V0 self-extinguishing
Fastening	DIN rail
Weight (kg)	0,28

#### Environmental characteristics

Thermal Class	Class A (+105 °C)
---------------	-------------------

#### Specific technical characteristics of current sensors

Operating voltage	0,72 kV~ max.
-------------------	---------------

#### Current measurement circuit

Nominal frequency	50 / 60 Hz
Primary current measurement	30 A
Dynamic current (Idyn)	2,5 Ith
Thermal short-circuit current (Ith)	60 In
Transformation ratio	... / 5 A

#### Standards

Standards	IEC 44-1, UNE 21 088-1, UL 94, VDE 0414
-----------	---

#### TM45

Current transformers, winding primary, DIN rail

CODE	TYPE	Measurement Range (A)	Class 0,5 Power (VA)	Class 1 Power (VA)	Class 3 Power (VA)
M70601.	TM45 5 /5A	5/5	2,5	5	7
M70602.	TM45 10 /5A	10/5	2,5	5	7
M70603.	TM45 15 /5A	15/5	2,5	5	7
M70604.	TM45 20 /5A	20/5	2,5	5	7
M70605.	TM45 25 /5A	25/5	2,5	5	7
M70606.	TM45 30 /5A	30/5	2,5	5	7
M70607.	TM45 40 /5A	40/5	2,5	5	7
M70608.	TM45 50 /5A	50/5	2,5	5	7



## TM45 30 /5A

Current transformers, busbar and winding primary

Code: M70606.

CODE	TYPE	Measurement Range (A)	Class 0,5 Power (VA)	Class 1 Power (VA)	Class 3 Power (VA)
M70609.	TM45 1 /5A	1/5	2,5	5	7

For other configurations see table of additional features

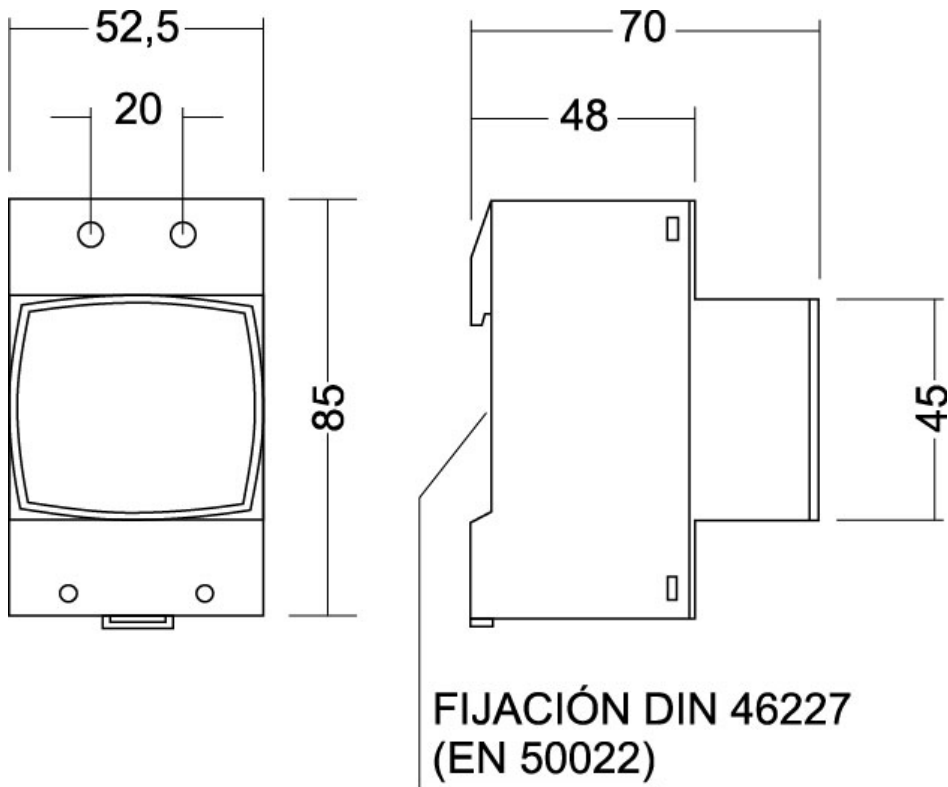


## TM45 30 /5A

Current transformers, busbar and winding primary

Code: M70606.

### Dimensions



**TM 45**