



TM45 5 /5A

TM45 5 /5A, Current transformers, winding primary, DIN rail

Code: M70601.

- > System: Single-phase
- > Class 0,5 Power (VA): 2,5
- > Class 1 Power (VA): 5
- > Class 3 Power (VA): 7
- > Measurement Range (A): 5/5
- > Input current: 5 A
- > Transformer type: Winding primary

Description

- Types: from 1 to 40 A
- Wound primary
- Assembly on DIN rail

Application

Converting a high nominal current to a lower current so that it can be measured by the unit. In installations where the nominal current is not too high or a transformer has to be installed on the DIN rail.



TM45 5 /5A

Current transformers, busbar and winding primary

Code: M70601.

Specifications

Electrical characteristics

Safety factor (SF)	FS < 5
Power	2.5 VA (Class 0,5)

Mechanical characteristics

Size (mm) width x height x depth	52.5 x 85 x 70 (mm)
Envelope	Plastic wrap V0 self-extinguishing
Fastening	DIN rail
Weight (kg)	0,282

Environmental characteristics

Thermal Class	Class A (+105 °C)
---------------	-------------------

Specific technical characteristics of current sensors

Operating voltage	0,72 kV~ max.
-------------------	---------------

Current measurement circuit

Nominal frequency	50 / 60 Hz
Primary current measurement	5 A
Dynamic current (Idyn)	2,5 Ith
Thermal short-circuit current (Ith)	60 In
Transformation ratio	... / 5 A

Standards

Standards	IEC 44-1, UNE 21 088-1, UL 94, VDE 0414
-----------	---

TM45

Current transformers, winding primary, DIN rail

CODE	TYPE	Measurement Range (A)	Class 0,5 Power (VA)	Class 1 Power (VA)	Class 3 Power (VA)
M70601.	TM45 5 /5A	5/5	2,5	5	7
M70602.	TM45 10 /5A	10/5	2,5	5	7
M70603.	TM45 15 /5A	15/5	2,5	5	7
M70604.	TM45 20 /5A	20/5	2,5	5	7
M70605.	TM45 25/5A	25/5	2,5	5	7
M70606.	TM45 30 /5A	30/5	2,5	5	7
M70607.	TM45 40 /5A	40/5	2,5	5	7
M70608.	TM45 50 /5A	50/5	2,5	5	7



TM45 5 /5A

Current transformers, busbar and winding primary

Code: M70601.

CODE	TYPE	Measurement Range (A)	Class 0,5 Power (VA)	Class 1 Power (VA)	Class 3 Power (VA)
M70609.	TM45 1 /5A	1/5	2,5	5	7

For other configurations see table of additional features

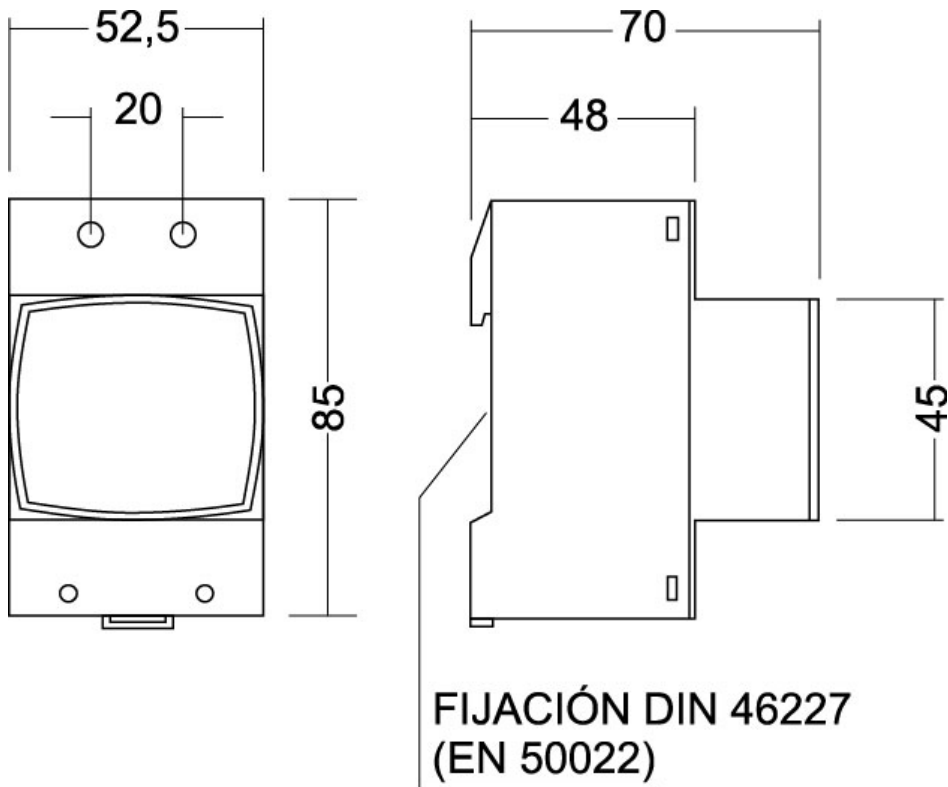


TM45 5 /5A

Current transformers, busbar and winding primary

Code: M70601.

Dimensions



TM 45