

TCH12 1250/5A

TCH12 1250/5A, Current transformers high accuracy and narrow section

Code: M7048C.

- > Flat strip(mm): 100 x 50
- > System: Single-phase
- > Class 0,2 Power (VA): 15
- > Class 0,2S Power (VA): 10
- > Class 0,5S Power (VA): 15
- > Measurement Range (A): 1250/5
- > Input current: 1250 A
- > Transformer type: Closed core

Description

- Type: bar entrance
- Types: from 40 to 4000 A
- Internal diameter: from 20.3 to 63 mm, depending on the type
- Busbar dimensions: from 25 x 5 mm to 30 x 100 mm
- Transformer certificate sheet is attached
- Accessory on request for fixing on DIN rail (Types **TCH6** and **TCH6.2**)
- Secondary coding types .../5 A (on demand .../1 A.)

Application

Converting a high nominal current to a lower current so that it can be measured by the unit. In installations where the electrical supply can be interrupted to install transformers and a high accuracy is required.



TCH12 1250/5A

Current transformers narrow section and high accuracy

Code: M7048C.

Specifications

Electrical characteristics

Safety factor (SF)	FS 5
Power	15 VA (Class 0,2)

Mechanical characteristics

Size (mm) width x height x depth	129 x 155 x 78 (mm)
Envelope	Plastic wrap V0 self-extinguishing, UL 94
Weight (kg)	0,85

Environmental characteristics

Thermal Class	Class B (+130 °C)
Protection class	IP 20
Relative humidity (without condensation)	15 ... 95 %

Specific technical characteristics of current sensors

Operating voltage	0,72 kV~ max.
-------------------	---------------

Current measurement circuit

Nominal frequency	50 / 60 Hz
Primary current measurement	1250 A
Dynamic current (Idyn)	2,5 Ith
Thermal short-circuit current (Ith)	60 In
Transformation ratio	... / 5 A

Standards

Standards	IEC 44-1, BS2627
-----------	------------------

TCH

Current transformers narrow section and high accuracy

CODE	TYPE	Measurement Range (A)	Flat strip(mm)	Class 0,2 Power (VA)	Class 0,2S Power (VA)	Class 0,5S Power (VA)
TCH6						
M70431.	TCH6 150/5A	150/5	30 x 15 20 x 10 40 x 10	1,25	1	1,5
M70432.	TCH6 200/5A	200/5	30 x 15 20 x 10 40 x 10	1,5	1,25	2
M70433.	TCH6 250/5A	250/5	30 x 15 20 x 10 40 x 10	1,75	1,5	2,25
M70434.	TCH6 300/5A	300/5	30 x 15 20 x 10 40 x 10	2	1,75	2,5
M70435.	TCH6 400/5A	400/5	30 x 15 20 x 10 40 x 10	5	1	5



TCH12 1250/5A

Current transformers narrow section and high accuracy

Code: M7048C.

CODE	TYPE	Measurement Range (A)	Flat strip(mm)	Class 0,2 Power (VA)	Class 0,2S Power (VA)	Class 0,5S Power (VA)
M70436.	TCH6 500/5A	500/5	30 x 15 20 x 10 40 x 10	7,5	5	7,5
M70437.	TCH6 600/5A	600/5	30 x 15 20 x 10 40 x 10	7,5	5	7,5
M70438.	TCH6 750/5A	750/5	30 x 15 20 x 10 40 x 10	10	7,5	10
M70439.	TCH6 800/5A	800/5	30 x 15 20 x 10 40 x 10	10	7,5	10
TCH6.2						
M70441.	TCH6.2 100/5A	100/5	20 x 20 25 x 12 30 x 10	1,5	1	2,5
M70442.	TCH6.2 125/5A	125/5	20 x 20 25 x 12 30 x 10	1,5	1	2,5
M70443.	TCH6.2 150/5A	150/5	20 x 20 25 x 12 30 x 10	3,5	2,5	3,5
M70444.	TCH6.2 200/5A	200/5	20 x 20 25 x 12 30 x 10	5	3,5	5
M70445.	TCH6.2 250/5A	250/5	20 x 20 25 x 12 30 x 10	5	5	5
M70446.	TCH6.2 300/5A	300/5	20 x 20 25 x 12 30 x 10	5	5	5
M70447.	TCH6.2 400/5A	400/5	20 x 20 25 x 12 30 x 10	7,5	7,5	7,5
M7044B.	TCH6.2 50/5A	50/5	20 x 20 25 x 12 30 x 10	0,5		
M7044C.	TCH6.2 60/5A	60/5	20 x 20 25 x 12 30 x 10	0,5		
TCH8						
M70463.	TCH8 600/5A	600/5	50 x 30 60 x 12	10	5	10
M70464.	TCH8 750/5A	750/5	50 x 30 60 x 12	10	7,5	10
M70465.	TCH8 800/5A	800/5	50 x 30 60 x 12	10	7,5	10
M70466.	TCH8 1000/5A	1000/5	50 x 30 60 x 12	15	10	15
M70467.	TCH8 1200/5A	1200/5	50 x 30 60 x 12	15	10	15
M70468.	TCH8 1500/5A	1500/5	50 x 30 60 x 12	15	10	15
M70469.	TCH8 1600/5A	1600/5	50 x 30 60 x 12	15	10	15
M7046A.	TCH8 1250/5A	1250/5	50 x 30 60 x 12	15	10	15
TCH10						
M70472.	TCH10 800/5A	800/5	50 x 50 60 x 30 80 x 30	10	7,5	10
M70473.	TCH10 1000/5A	1000/5	50 x 50 60 x 30 80 x 30	10	7,5	10
M70474.	TCH10 1200/5A	1200/5	50 x 50 60 x 30 80 x 30	10	10	10
M70475.	TCH10 1500/5A	1500/5	50 x 50 60 x 30 80 x 30	10	10	15
M70476.	TCH10 1600/5A	1600/5	50 x 50 60 x 30 80 x 30	10	10	15
M70477.	TCH10 2000/5A	2000/5	50 x 50 60 x 30 80 x 30	10	10	15
M70478.	TCH10 2500/5A	2500/5	50 x 50 60 x 30 80 x 30	10	10	15
M70479.	TCH10 3000/5A	3000/5	50 x 50 60 x 30 80 x 30	10	10	15
M7047C.	TCH10 1250/5A	1250/5	50 x 50 60 x 30 80 x 30	10	10	10
TCH12						
M70482.	TCH12 1200/5A	1200/5	100 x 50	15	10	15
M70483.	TCH12 1500/5A	1500/5	100 x 50	15	10	15
M70484.	TCH12 1600/5A	1600/5	100 x 50	15	10	15
M70485.	TCH12 2000/5A	2000/5	100 x 50	15	10	15



TCH12 1250/5A

Current transformers narrow section and high accuracy

Code: M7048C.

CODE	TYPE	Measurement Range (A)	Flat strip(mm)	Class 0,2 Power (VA)	Class 0,2S Power (VA)	Class 0,5S Power (VA)
M70486.	TCH12 2500/5A	2500/5	100 x 50	20	15	20
M70487.	TCH12 3000/5A	3000/5	100 x 50	25	20	25
M70488.	TCH12 4000/5A	4000/5	100 x 50	30	25	30
M7048B.	TCH12 3200/5A	3200/5	100 x 50	25	20	25
M7048C.	TCH12 1250/5A	1250/5	100 x 50	15	10	15

For other configurations see table of additional features

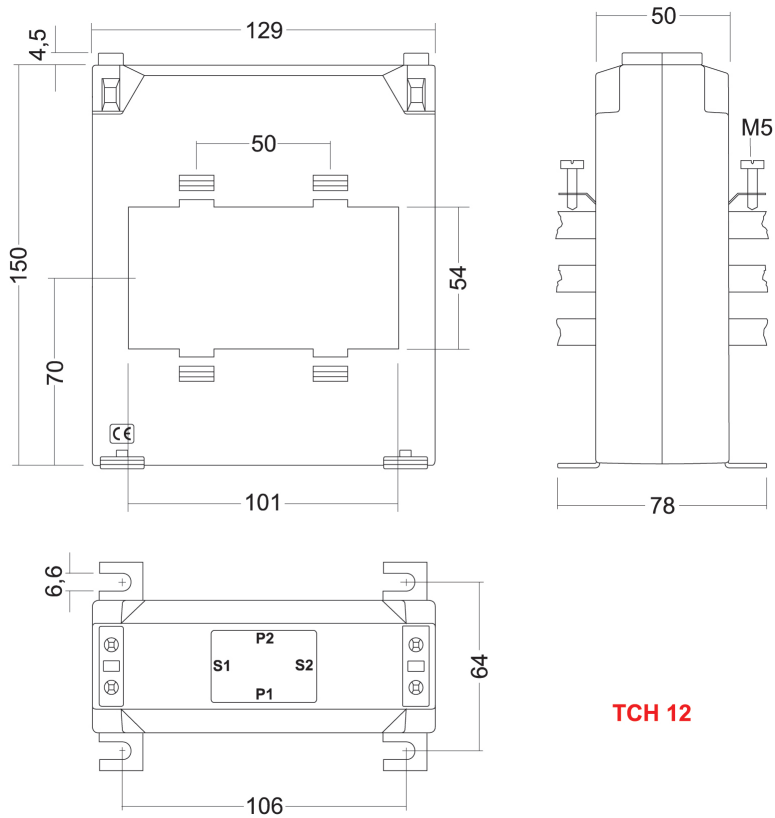


TCH12 1250/5A

Current transformers narrow section and high accuracy

Code: M7048C.

Dimensions



TCH 12