



Line-M-EXT-PS

Line-M-EXT-PS, 110-277 V ~ (P-N)/110-480 V ~ (P-P) power supply for maximum of 3 Line devices,

Code: M58E0A. [CONSULTAR DISPONIBILIDAD](#)

Description

Supply module to power devices connected on the Line bus. The module can be interconnected between Line system modules to expand the number of devices connected on the same bus, aiding with system scalability. The module allows for connections in networks of up to 480V.

The modules are connected laterally and are detected automatically when the lateral connection is made, which greatly simplifies the installation and configuration of the modules.

Application

- Expanded power supply performance for the line-CVM-D32 or line-EDS network analysers and connected modules.
- Can be used to supply the "line" system in 480V ~ Ph-Ph networks.



Line-M-EXT-PS

Code: M58E0A.

Specifications

AC power supply

Installation category	CAT III 300 V
Consumption	1 ... 9 VA
Frequency	50 ... 60 Hz
Nominal voltage	110 ... 277 V~ (F-N) / 110... 480 V~ (F-F)

Mechanical characteristics

Size (mm) width x height x depth	52.5 x 108 x 70 (mm)
Envelope	Self-extinguishing V0 plastic
Fastening	DIN rail (IEC 60715)
Weight (kg)	0,24

Environmental characteristics

Protection class	IP30, Front: IP40
Relative humidity (without condensation)	5 ... 95%
Storage temperature	-20 ... +70 °C
Working temperature	-10 ... +50 °C

Standards

Certifications	UL 94
Electrical safety, Maximum height (m)	2000
Standards	UNE-EN 61010-1, UNE-EN 61010-2-30, UNE-EN 61326-1, EN-55032, UNE-EN 62368-1, UL 94

User interface

LED	1 LED
-----	-------

Power supply

Maximum output voltage / current	12 Vdc / 0.9 Adc
----------------------------------	------------------

Power supply output

Power	10 VA
-------	-------

Line-M-EXT-PS

Power supply modules, Line series

CODE	TYPE	Description
Power supply		
D7300A.	Line-M-EXT-PS	110-277 V ~ (P-N)/110-480 V ~ (P-P) power supply for maximum of 3 Line devices



Line-M-EXT-PS

Code: M58E0A.

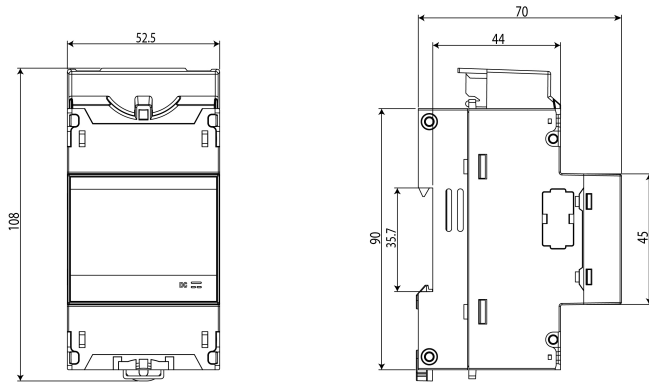
Bus-Line: RS-485 communication system, with side connector between modules



Line-M-EXT-PS

Code: M58E0A.

Dimensions



Connections

