



Line-M-20I

Line-M-20I, Centralizer module with 20 digital inputs

Code: M58E06.

- > Protocol: Modbus/RTU
- > Communications: Bus-Line
- > Digital inputs: 20
- > Mounting: DIN rail

Description

The line-M-20I is a centraliser with 20 digital inputs that is designed to centralise the logical status of each signal or to count the number of impulses at each input.

Application

- Centralise consumption at installations such as: shopping centres, hotels, campsites, etc.
- Pulse receiver for water, gas and other meters.



Line-M-20I

Impulse centraliser

Code: M58E06.

Specifications

AC power supply

| | |
|-----------------------------|-----------------------|
| Installation category | CAT III 300V |
| auxiliary power supply mode | Through the connector |

DC power supply

| | |
|-----------------|--------|
| Consumption | 3,5 W |
| Nominal voltage | 12 Vdc |

Mechanical characteristics

| | |
|---|-------------------------------|
| Size (mm) width x height x depth | 52.5 x 118 x 70 (mm) |
| Screw type | Flat, M2.5 |
| Envelope | Self-extinguishing V0 plastic |
| Torque setting | ≤ 0,4 Nm |
| Cable gauge at power supply terminals | 2.5 mm ² |
| Cable gauge at input and output terminals | 2,5 mm ² |
| Fastening | DIN rail (IEC 60715) |
| Weight (kg) | 0,3 |

Environmental characteristics

| | |
|--|-------------------|
| Protection class | IP30, Front: IP40 |
| Relative humidity (without condensation) | 5 ... 95% |
| Storage temperature | -20 ... +70 °C |
| Working temperature | -10 ... +50 °C |

Voltage measurement circuit

| | |
|-----------------|--------|
| Input impedance | 1.4 kΩ |
|-----------------|--------|

Standards

| | |
|--|--|
| Electrical safety, Maximum height (m) | 2000 |
| Electrical safety, Installation category | CAT III 300 V |
| Standards | UNE-EN 61010-1, UNE-EN 61000-6-2, UNE-EN 61000-6-4 |

User interface

| | |
|-----|--------|
| LED | 21 LED |
|-----|--------|

Digital inputs

| | |
|-------------------------|----------|
| Input/output insulation | 4,2 kVcc |
| Quantity | 20 |



Line-M-20I

Impulse centraliser

Code: M58E06.

| | |
|-------------------------|--|
| Consumption (per input) | 60 mA Eingänge AUS / 240 mA Eingänge EIN |
| Type | Optocoupler |
| Minimum signal width | 10 ms |

Digital transistor outputs

| | |
|-----------------|-------|
| Maximum current | 120mA |
|-----------------|-------|

Line-M-20I

Expansion modules pulse inputs, Line series

| CODE | TYPE | Protocol | N° relays | Digital inputs |
|-----------------------------|------------|------------|-----------|----------------|
| Input/Output Modules | | | | |
| M58E06. | Line-M-20I | Modbus/RTU | - | 20 |

Transistor I/O expansion modules, Line system

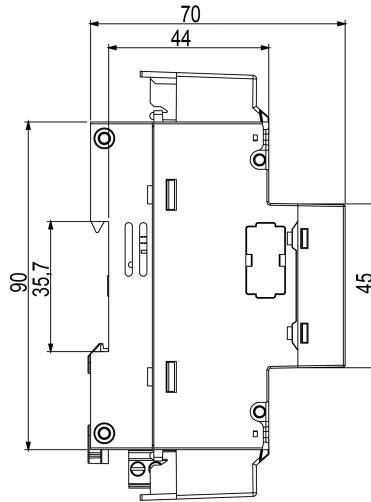
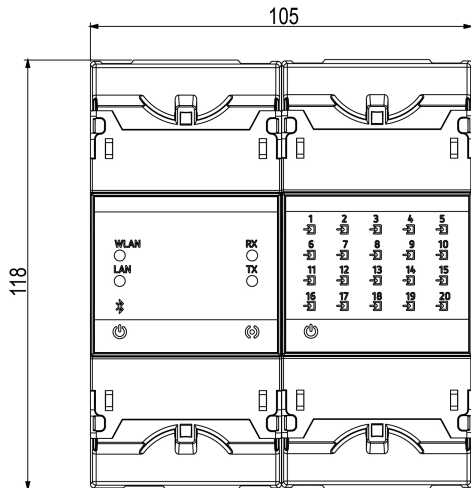


Line-M-20I

Impulse centraliser

Code: M58E06.

Dimensions



Connections

