



Line-M-3G

Line-M-3G, 3G communications modem and Bus-Line to communicate with the Line-EDS devices,

Code: M58E05. (CONSULTAR DISPONIBILIDAD)

Specifications

AC power supply

Installation category	CAT III 300V
Consumption	2,8 ... 4,1 VA
auxiliary power supply mode	Through the line-EDS device

DC power supply

Consumption	1,9 ... 2,2 W
-------------	---------------

Mechanical characteristics

Size (mm) width x height x depth	52.5 x 96.95 x 88.75 (mm)
Envelope	Self-extinguishing V0 plastic
Fastening	DIN rail (IEC 60715)
Weight (kg)	0,15

Environmental characteristics

Protection class	IP30, Front: IP40
Relative humidity (without condensation)	5 ... 95%
Storage temperature	-20 ... +70 °C
Working temperature	-10 ... +50 °C

Standards

Electrical safety, Maximum height (m)	2000
Electrical safety, Installation category	CAT III 300 V
Standards	UNE-EN 61010-1, UNE-EN 61000-6-2, UNE-EN 61000-6-4

User interface

LED	4 LED
-----	-------

Radio communication -Antenna

	SMA (Right Angle)
--	-------------------

Radio communication

Band	850/900/1700/1800/1900/2100 MHz
Technology / Type	3G

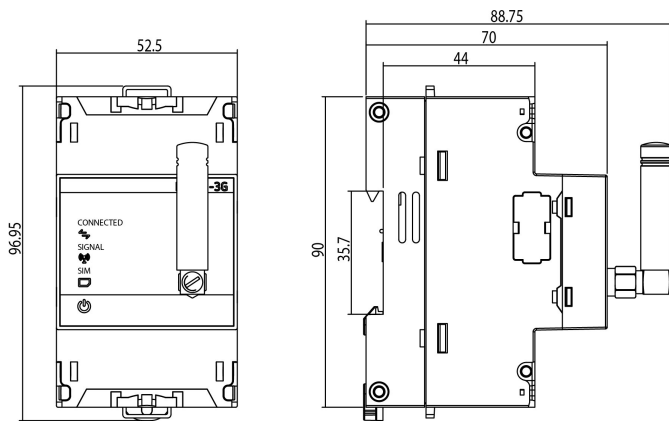
3G Modem, expansion modules, Line system



Line-M-3G

Code: M58E05.

Dimensions



Connections

