



## M-CVM-AB-Modbus-TCP (switch)

---

M-CVM-AB-Modbus-TCP (switch), expansion module

Code: M56E0A.

- > Protocol: Modbus/TCP (gateway to TCP)
- > Memory: No
- > Communications: Ethernet

### Description

---

Expansion module with Modbus/TCP communications (Ethernet switch).

### Application

---

It allows the Modbus TCP communication with SCADA systems in addition to Ethernet connectivity with other devices in cascade, avoiding long distances Ethernet cabling from centralized router or switch.



## M-CVM-AB-Modbus-TCP (switch)

Expansion modules M-CVM-AB-Modbus/TCP (switch)

Code: M56E0A.

### Specifications

#### DC power supply

Consumption	2W
-------------	----

#### Mechanical characteristics

Size (mm) width x height x depth	90 x 90 x 90 (mm)
Envelope	Self-extinguishing V0 plastic
Fastening	Panel
Weight (kg)	0,12

#### Environmental characteristics

Protection class	IP 30
Relative humidity (without condensation)	5 ... 95%
Storage temperature	-20... +80 °C
Working temperature	-10...+50 °C

#### Standards

Certifications	UL/CSA 61010-1 3rd edition
Electrical safety, Maximum height (m)	2000
Standards	IEC 61010, UNE-EN 61000-6-2, UNE-EN 61000-6-4, IEC 664, UNE-EN 55022

#### Serial communication

Protocol	Profibus
----------	----------

#### M-CVM-AB-Modbus-TCP (switch)

Expansion modules

CODE	TYPE	Communications	Protocol
M56E0A.	M-CVM-AB-Modbus-TCP (switch)	Ethernet	Modbus/TCP (gateway to TCP)

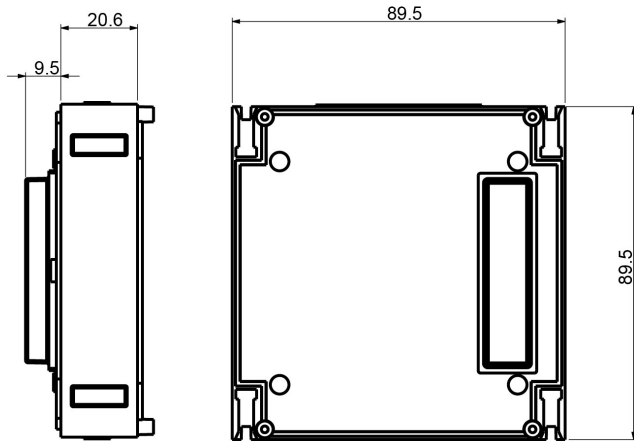


# M-CVM-AB-Modbus-TCP (switch)

Expansion modules M-CVM-AB-Modbus/TCP (switch)

Code: M56E0A.

## Dimensions



## Connections

