



## M-CVM-AB-Profibus

M-CVM-AB-Profibus, Expansion module

Code: M56E09.

- > Protocol: ProfiBus
- > Memory: No
- > Communications: DB-9

### Description

---

Expansion module with ProfiBus communications.

### Application

---

Enables communication with SCADA systems, or similar, through the ProFiBus/DP protocol.



## M-CVM-AB-Profibus

Expansion modules M-CVM-AB-Profibus

Code: M56E09.

### Specifications

#### DC power supply

Consumption	2W
-------------	----

#### Mechanical characteristics

Size (mm) width x height x depth	90 x 90 x 90 (mm)
Envelope	Self-extinguishing V0 plastic
Fastening	Panel
Weight (kg)	0,14

#### Environmental characteristics

Protection class	IP 30
Relative humidity (without condensation)	5 ... 95%
Storage temperature	-20... +80 °C
Operating temperature	-10...+50 °C

#### Standards

Certifications	UL 61010-1 3rd edition, CAN/CSA-C22.2 No.61010-1 3rd. edition 2012-05
Electrical safety, Maximum height (m)	2000
Standards	IEC 61010-1 (1rd. Edition), UNE-EN 61000-6-2, UNE-EN 61000-6-4, IEC 60664-1, IEC 61010-2-030 (First Edition).

#### Communications

Identifier	4
Protocol	Profibus
Speed	19,2 kbs - 93,75 kbs - 187,5 kbs - 500 kbs - 1500 kbs - 3000 kbs - 6000 kbs - 12000 kbs



## M-CVM-AB-Profibus

Expansion modules M-CVM-AB-Profibus

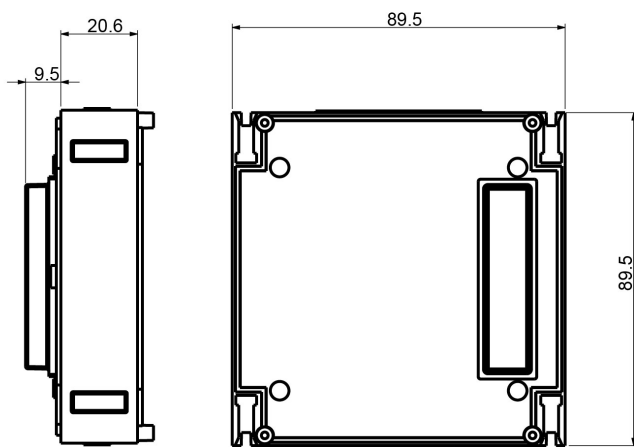
Code: M56E09.

### M-CVM-AB-Profibus

Expansion modules

CODE	TYPE	Communications	Protocol
M56E09.	M-CVM-AB-Profibus	DB-9	Profibus

### Dimensions



### Connections

