



M-CVM-AB-Profibus

M-CVM-AB-Profibus, Expansion module

Code: M56E09. (CONSULTAR DISPONIBILIDAD)

- > Protocol: ProfiBus
- > Memory: No
- > Communications: DB-9

Description

Expansion module with ProfiBus communications.

Application

Enables communication with SCADA systems, or similar, through the ProFiBus/DP protocol.



M-CVM-AB-Profibus

Expansion modules M-CVM-AB-Profibus

Code: M56E09.

Specifications

DC power supply

Consumption	2W
-------------	----

Mechanical characteristics

Size (mm) width x height x depth	90 x 90 x 90 (mm)
Envelope	Self-extinguishing V0 plastic
Fastening	Panel
Weight (kg)	0,14

Environmental characteristics

Protection class	IP 30
Relative humidity (without condensation)	5 ... 95%
Storage temperature	-20... +80 °C
Working temperature	-10...+50 °C

Standards

Certifications	UL 61010-1 3rd edition, CAN/CSA-C22.2 No.61010-1 3rd. edition 2012-05
Electrical safety, Maximum height (m)	2000
Standards	IEC 61010-1 (1rd. Edition), UNE-EN 61000-6-2, UNE-EN 61000-6-4, IEC 60664-1, IEC 61010-2-030 (First Edition).

Serial communication

Protocol	LonTalk
Technology / Type	DB-9

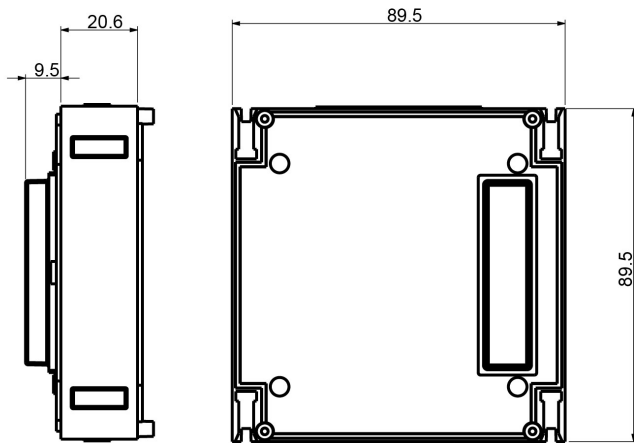


M-CVM-AB-Profibus

Expansion modules M-CVM-AB-Profibus

Code: M56E09.

Dimensions



Connections

