



M-CVM-B-DATALOGGER

M-CVM-B-DATALOGGER, Expansion module

Code: M56E06.

- > Protocol: Webservice | HTML5 | XML
- > Memory: 200 MB
- > Memory: Yes
- > Communications: Ethernet

Description

Expansion module for CVM-B that enables historical records. The data base is accessible using a WEB browser supporting HTML5 or PowerStudio Client (JAVA).

Application

- Data storage on the CVM-B itself
- 200MB ring buffer. Up to 1 year averaged data every 15 minutes (average, maximum and minimum value in each record)
- Integrations with other SCADA systems through XML requests (Service integrated in the module)
- Automatic synchronization with the **PowerStudio** data base in all versions
- Module Configuration throught the Editor of **PowerStudio** (free tool software)
- All the benefits of embedded PowerStudio. (Programming calculations, time discriminación, events, user access profiles, etc.)
- Integrated HTML5 Web Server, visible using Smarthphones, tablets and PC directly
- E-mails sending from the own equipment, reporting any variable measured or calculated in the CVM-B.



M-CVM-B-DATALOGGER

Expansion modules M-CVM-AB-Datalogger

Code: M56E06.

Specifications

DC power supply

Consumption	2W
-------------	----

Mechanical characteristics

Size (mm) width x height x depth	90 x 90 x 90 (mm)
Envelope	Self-extinguishing V0 plastic
Fastening	Panel
Weight (kg)	0,13

Environmental characteristics

Protection class	IP 30
Relative humidity (without condensation)	5 ... 95%
Storage temperature	-20... +80 °C
Working temperature	-10...+50 °C

Standards

Certifications	UL 61010-1 3rd edition, CAN/CSA-C22.2 No.61010-1 3rd. edition 2012-05
Electrical safety, Maximum height (m)	2000
Standards	IEC 61010-1 (1rd. Edition), UNE-EN 61000-6-2, UNE-EN 61000-6-4, IEC 60664-1, IEC 61010-2-030 (First Edition).

M-CVM-AB-DATALOGGER

Expansion modules

CODE	TYPE	Communications	Protocol
M56E06.	M-CVM-B-DATALOGGER	Ethernet	Webserver HTML5 XML

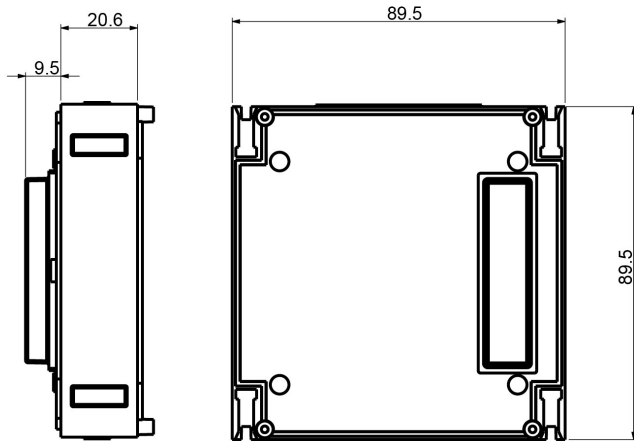


M-CVM-B-DATALOGGER

Expansion modules M-CVM-AB-Datalogger

Code: M56E06.

Dimensions



Connections

