

CT-PT100 Out2

CT-PT100 Out2, Transducer

Code: M25652.

- > Output type: 2
- > Analog output: 4...20mA
- > Measure: According probe PT-100

Description

CT-PT transducers, convert temperature measures to D.C process indicator signal, using PT-100 lead. The analog output is directly proportional to the measurement temperature with PT-100 lead.



CT-PT100 Out2

Temperature transducer - PT100

Code: M25652.

Specifications

AC power supply

| | |
|-----------------|---------------------------------|
| Consumption | 2,5 VA |
| Frequency | 40...90 Hz |
| Nominal voltage | 24/115/230/400 Vca (-15...+20%) |

DC power supply

| | |
|-----------------|-------------------------------------|
| Consumption | 2,5 VA |
| Nominal voltage | 9-18 / 18-36 Vdc 36-72 / 90-140 Vdc |

Mechanical characteristics

| | |
|----------------------------------|--------------------|
| Size (mm) width x height x depth | 40 x 72 x 110 (mm) |
| Weight (kg) | 0,29 |

Environmental characteristics

| | |
|---------------------|--------------------------------|
| Protection class | IP 20 (Terminals) IP 40 (case) |
| Storage temperature | -40...+70 °C |
| Working temperature | -10...+60 °C |

Sensor connection

| | |
|-------------------------------|---------------------------------|
| Sensor connection | 3 hilos |
| Temperature measurement range | -200...+200 °C / -200...+800 °C |

Standards

| | |
|---------------------------------------|---|
| Electrical safety, Maximum height (m) | 2000 |
| Standards | IEC 529, IEC 688, IEC 801, EN 50081-2, EN 50082-2, IEC 1010 |

Analogue inputs

| | |
|------------------------------|------------------------|
| Load impedance in current | < 500 Ω |
| Ripple (effective RMS value) | < 0,5 % |
| Load impedance in voltage | > 500 Ω |
| Response time | < 300 ms (0...99 % Vn) |

Analogue outputs

| | |
|------------------------------------|----------------------------------|
| Current mode, nominal range | 0...10, 20 mAac |
| Displaced output | 0,2...2 V / 2...10 V / 4...20 mA |
| Voltage mode: nominal output range | 0...5, 10 Vac |

Measurement accuracy

| | |
|----------|------|
| Accuracy | 0,2% |
|----------|------|



CT-PT100 Out2

Temperature transducer - PT100

Code: M25652.

CT-PT

Temperature transducer

| CODE | TYPE | Output type | Analog output | Measure |
|--------------------|-----------------|-------------|---------------|------------------------|
| Temperature | | | | |
| M25651. | CT-PT100 Out1,3 | 1, 3 | 0...20mA | According probe PT-100 |
| M25652. | CT-PT100 Out2 | 2 | 4...20mA | According probe PT-100 |

Indicate: Zero value, fullscale and type of output.

For other values, see coding table on following pages

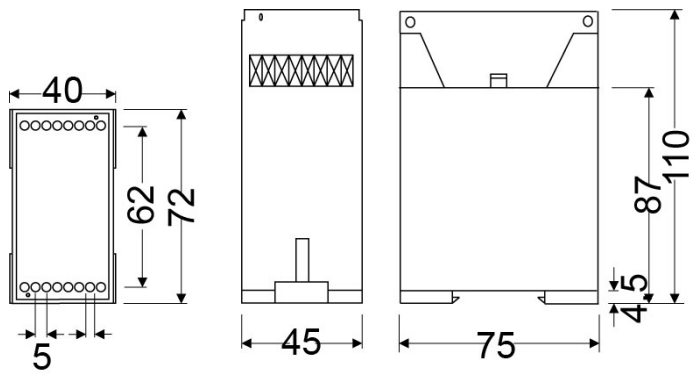


CT-PT100 Out2

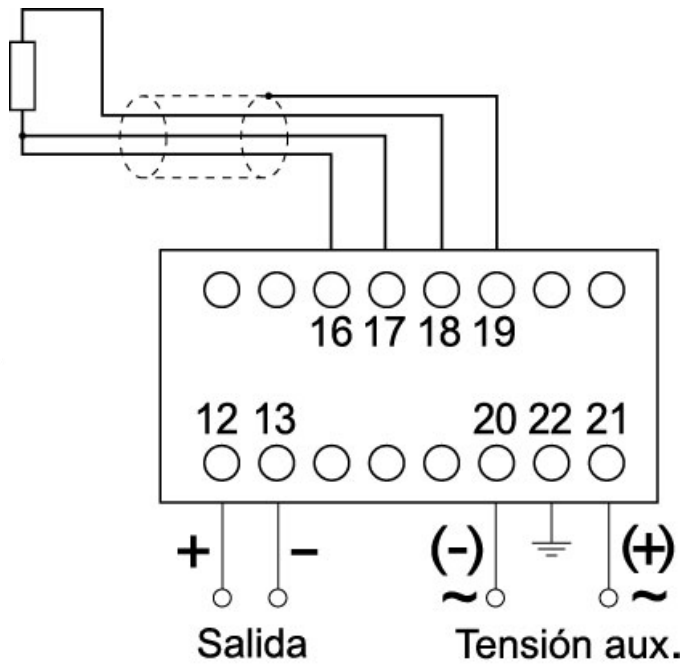
Temperature transducer - PT100

Code: M25652.

Dimensions



Connections



CT-PT100