

CT-PT100 Out1,3

CT-PT100 Out1,3, Transducer

Code: M25651.

- > Output type: 1, 3
- > Analog output: 0...20mA
- > Measure: According probe PT-100

Description

CT-PT transducers, convert temperature measures to D.C process indicator signal, using PT-100 lead. The analog output is directly proportional to the measurement temperature with PT-100 lead.



CT-PT100 Out1,3

Temperature transducer - PT100

Code: M25651.

Specifications

AC power supply

Consumption	2,5 VA
Frequency	40...90 Hz
Nominal voltage	24/115/230/400 Vca (-15...+20%)

DC power supply

Consumption	2,5 VA
Nominal voltage	9-18 / 18-36 Vdc 36-72 / 90-140 Vdc

Mechanical characteristics

Size (mm) width x height x depth	40 x 72 x 110 (mm)
Weight (kg)	0,31

Environmental characteristics

Protection class	IP 20 (Terminals) IP 40 (case)
Storage temperature	-40...+70 °C
Working temperature	-10...+60 °C

Sensor connection

Sensor connection	3 hilos
Temperature measurement range	-200...+200 °C / -200...+800 °C

Standards

Electrical safety, Maximum height (m)	2000
Standards	IEC 529, IEC 688, IEC 801, EN 50081-2, EN 50082-2, IEC 1010

Analogue inputs

Load impedance in current	< 500 Ω
Ripple (effective RMS value)	< 0,5 %
Load impedance in voltage	> 500 Ω
Response time	< 300 ms (0...99 % Vn)

Analogue outputs

Current mode, nominal range	0...10, 20 mAac
Displaced output	0,2...2 V / 2...10 V / 4...20 mA
Voltage mode: nominal output range	0...5, 10 Vac

Measurement accuracy

Accuracy	0,2%
----------	------



CT-PT100 Out1,3

Temperature transducer - PT100

Code: M25651.

CT-PT

Temperature transducer

CODE	TYPE	Output type	Analog output	Measure
Temperature				
M25651.	CT-PT100 Out1,3	1, 3	0...20mA	According probe PT-100
M25652.	CT-PT100 Out2	2	4...20mA	According probe PT-100

Indicate: Zero value, fullscale and type of output.

For other values, see coding table on following pages

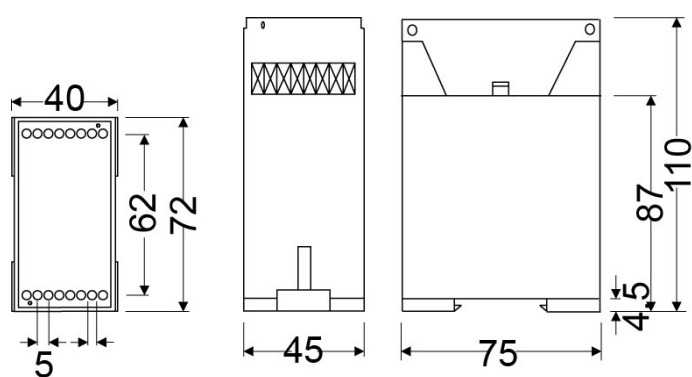


CT-PT100 Out1,3

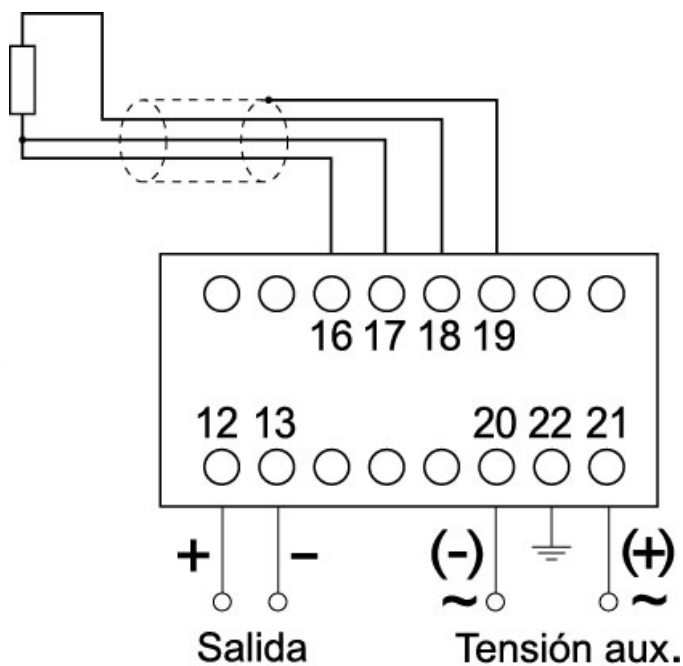
Temperature transducer - PT100

Code: M25651.

Dimensions



Connections



CT-PT100