

CF Out1

CF Out1, Transducer Hz

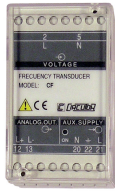
Code: M25531.

- > Output type: 1
- > Analog output: 0...20mA
- > Measure: 45 ... 55 Hz (10 ... 660 Vac)

Description

The CF transducers, convert input frequency to D.C process indicator signal.

The analog output is directly proportional to the input frequency signal.



CF Out1

Frequency transducer

Code: M25531.

Specifications

AC power supply, insulation

Pulse test (kV)	4 kV (1,2/50µs)
Test voltage (kV)	3 kV RMS 50 Hz 1min

AC power supply

Consumption	2,5 VA
Frequency	40...90 Hz
Nominal voltage	24/115/230/400 Vca (-15...+20 %)

DC power supply, insulation

Pulse test (kV)	3 kV (1,2/50µs)
Test voltage (kV)	2 kV RMS 50Hz 1 min

DC power supply

Consumption	2,5 VA
Nominal voltage	9-18 / 18-36 Vdc 36-72 / 90-140 Vdc

Mechanical characteristics

Size (mm) width x height x depth	40 x 72 x 110 (mm)
Weight (kg)	0,31

Environmental characteristics

Protection class	IP 20 (Terminals) IP 40 (case)
Storage temperature	-40...+70 °C
Operating temperature	-10...+55 °C

Voltage measurement circuit

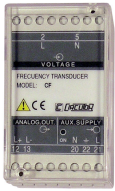
Input impedance	3000 Ω/V
Voltage measuring range	0...150 % Vn
Nominal voltage	10...150 V / 30...300 V / 60...600 V
Maximum permanent measurement voltage	1000 V

Standards

Electrical safety, Maximum height (m)	2000
Standards	IEC 529, IEC 688, IEC 1010

Analogue inputs

Load impedance in current	< 500 Ω
Ripple (effective RMS value)	< 0,5 %
Response time	< 500 ms (0...99 % Vn)



CF Out1

Frequency transducer

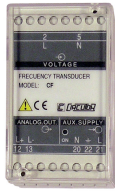
Code: M25531.

Analogue outputs

Current mode, nominal range	0...10, 20 mAac
Displaced output	0,2...2 V / 2...10 V / 4...20 mA
Voltage mode: nominal output range	0...5, 10 Vac

Measurement accuracy

Phase current measurement	0,2 % FS
---------------------------	----------



CF Out1

Frequency transducer

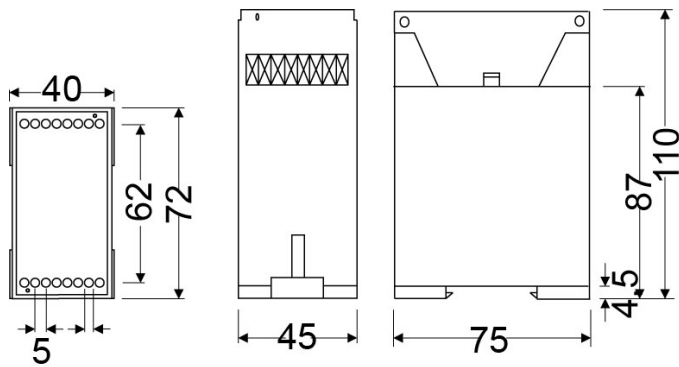
Code: M25531.

CF
Frequency transducers

CODE	TYPE	Output type	Analog output	Measure
M25531.	CF Out1	1	0...20mA	45 ... 55 Hz (10 ... 660 Vac)
M25532.	CF Out2	2	4...20mA	45 ... 55 Hz (10 ... 660 Vac)

Indicate: Zero value, fullscale and type of output.
For other values, see coding table on following pages

Dimensions



Connections

