

## CC-D Out2

CC-D Out2, Transduce Adc

Code: M25162.

- > Output type: 2
- > Analog output: 4...20mA
- > Measure: 20 mA
- > Paramètre: A dc

## Description

The **CV-D** transducers, convert D.C voltage to D.C process indicator signal, and it can be used for galvanic separation between the input and output circuits.

The analog output is directly proportional to the input signal.



## CC-D Out2

DC Voltage transducer

Code: M25162.

### Specifications

#### AC power supply

Consumption	2,5 VA
Frequency	40...90 Hz
Nominal voltage	24/115/230/400 Vca (-15...+20 %)

#### DC power supply, insulation

Test voltage (kV)	2 kV RMS 50Hz 1 min
-------------------	---------------------

#### DC power supply

Consumption	2,5 VA
Nominal voltage	9-18 / 18-36 Vdc 36-72 / 90-140 Vdc

#### Mechanical characteristics

Size (mm) width x height x depth	45 x 75 x 110 (mm)
Weight (kg)	0,62

#### Environmental characteristics

Protection class	IP 20 (Terminals) IP 40 (case)
Storage temperature	-40...+70 °C
Working temperature	-10...+55 °C

#### Current measurement circuit

Nominal current (In)	500 µA...10 A
Phase current measurement	0...120 % In
Allowable overload	300 % In permanent

#### Standards

Electrical safety, Maximum height (m)	2000
Standards	IEC 529, IEC 688, IEC 801, EN 50081-2, EN 50082-2, IEC 1010

#### Analogue inputs

Load impedance in current	< 500 Ω
Ripple (effective RMS value)	< 0,5 %
Load impedance in voltage	> 500 Ω
Response time	< 300 ms (0...99 % Vn)

#### Analogue outputs

Current mode, nominal range	0...10, 20 mAac
Displaced output	0,2...2 V / 2...10 V / 4...20 mA



## CC-D Out2

DC Voltage transducer

Code: M25162.

Voltage mode: nominal output range 0...5, 10 Vac

### Measurement accuracy

Phase current measurement 0,2 % FS

### CC-D

DC Current transducer

CODE	TYPE	Output type	Analog output	Measure	Paramètre
<b>C.C.Current. Auxiliary supply 230 V, 40...90 Hz, Accuracy: ± 0,5 % reading.</b>					
M25161.	CC-D Out1	1, 3	0...20mA	20 mA	A dc
M25162.	CC-D Out2	2	4...20mA	20 mA	A dc

-AP type: Accuracy: ± 0,5 % reading, 40...90 Hz. External auxiliary supply not required. Specify: Zero value, full scale and output type.

For other values, see coding table on following pages

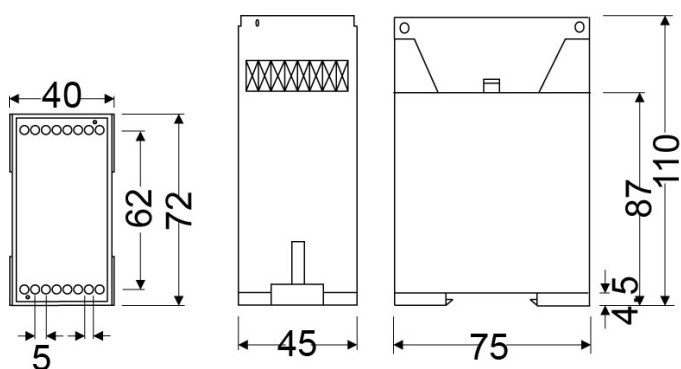


## CC-D Out2

DC Voltage transducer

Code: M25162.

### Dimensions



### Connections

