

CCE-A-AP

CCE-A-AP, Transducer Aac

Code: M25121.

- > Output type: 1, 3
- > Analog output: 0...20mA
- > Measure: 5 A
- > Paramètre: A ~

Description

The **CCE-A** and **CCE-AP** transducers, convert A.C current to D.C process indicator signal.

The analog output is directly proportional to the input signal, calibrated as a RMS with sinus signal of 50Hz.



CCE-A-AP

Narrow section AC Current transducer

Code: M25121.

Specifications

AC power supply

Nominal voltage	0...5, 10 Vcc
-----------------	---------------

Mechanical characteristics

Size (mm) width x height x depth	20 x 70 x 110 (mm)
Weight (kg)	0,23

Environmental characteristics

Protection class	IP 20 (Terminals) IP 40 (case)
Storage temperature	-40...+70 °C
Working temperature	-10...+60 °C

Current measurement circuit

Consumption	1 VA
Nominal frequency	45/65 Hz
Nominal current (In)	1 A / 5 A
Phase current measurement	5...120 % In
Allowable overload	300 % In permanent

Standards

Electrical safety, Maximum height (m)	2000
Standards	IEC 529, IEC 688, IEC 801, EN 50081-1, EN 50082-1, IEC 1010

Analogue inputs

Load impedance in current	< 500 Ω
Ripple (effective RMS value)	< 2 %
Load impedance in voltage	> 500 Ω
Response time	< 300 ms (0...99 % Vn)

Analogue outputs

Current mode, nominal range	0...10, 20 mAac
Voltage mode: nominal output range	0...5, 10 Vac

Measurement accuracy

Phase current measurement	0,5 % FS
---------------------------	----------

CCE

Narrow section AC Current transducer



CCE-A-AP

Narrow section AC Current transducer

Code: M25121.

CODE	TYPE	Output type	Analog output	System	Measure	Paramètre
AC Current transducer						
M25111.	CCE-A	2	4...20mA	-	5 A	A ~
M25121.	CCE-A-AP	1, 3	0...20mA	-	5 A	A ~

Specify ACCORDING TO THE CODE TABLE: 1. Code / 2. Input range / 3. Output range / 4. Auxiliary power supply / 5. Specify the network voltage for CFE-AP. xxx-AP types external auxiliary supply not required. 4...20 mA output not possible.

For other values, see coding table on following pages

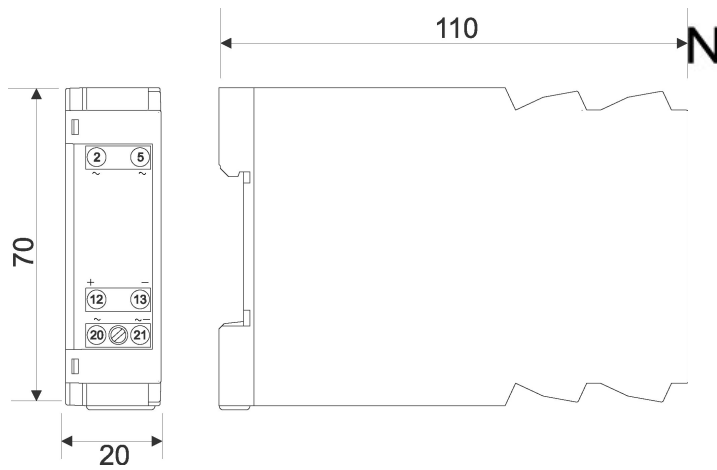


CCE-A-AP

Narrow section AC Current transducer

Code: M25121.

Dimensions



Connections

