

## CCE-A

CCE-A, Transducer Aac

Code: M25111.

- > Output type: 2
- > Analog output: 4...20mA
- > Measure: 5 A
- > Paramètre: A ~

### Description

The **CCE-A** and **CCE-AP** transducers, convert A.C current to D.C process indicator signal.

The analog output is directly proportional to the input signal, calibrated as a RMS with sinus signal of 50Hz.



## CCE-A

Narrow section AC Current transducer

Code: M25111.

### Specifications

#### AC power supply, insulation

Pulse test (kV)	4 kV (1,2/50µs)
Test voltage (kV)	3 kV RMS 50 Hz 1min

#### AC power supply

Consumption	2,5 VA
Frequency	40...90 Hz
Nominal voltage	115/230 Vca (-10...+10 %)

#### Mechanical characteristics

Size (mm) width x height x depth	20 x 70 x 110 (mm)
Weight (kg)	0,147

#### Environmental characteristics

Protection class	IP 20 (Terminals) IP 40 (case)
Storage temperature	-40...+70 °C
Working temperature	-10...+60 °C

#### Current measurement circuit

Consumption	0,2 VA
Nominal frequency	45/65 Hz
Nominal current (In)	1 A / 5 A
Phase current measurement	5...120 % In
Allowable overload	300 % In permanent

#### Standards

Electrical safety, Maximum height (m)	2000
Standards	IEC 529, IEC 688, IEC 801, EN 50081-1, EN 50082-1, IEC 1010

#### Analogue inputs

Load impedance in current	< 500 Ω
Ripple (effective RMS value)	< 2 %
Load impedance in voltage	> 500 Ω
Response time	< 300 ms (0...99 % Vn)

#### Analogue outputs

Displaced output	0,2...2 V / 2...10 V / 4...20 mA
------------------	----------------------------------



## CCE-A

---

Narrow section AC Current transducer

Code: M25111.

### Measurement accuracy

---

Phase current measurement

0,5 % FS

---



## CCE-A

Narrow section AC Current transducer

Code: M25111.

### CCE

Narrow section AC Current transducer

CODE	TYPE	Output type	Analog output	System	Measure	Paramètre
<b>AC Current transducer</b>						
M25111.	CCE-A	2	4...20mA	-	5 A	A ~

Specify ACCORDING TO THE CODE TABLE: 1. Code / 2. Input range / 3. Output range / 4. Auxiliary power supply / 5. Specify the network voltage for CFE-AP. xxx-AP types external auxiliary supply not required. 4...20 mA output not possible.

For other values, see coding table on following pages

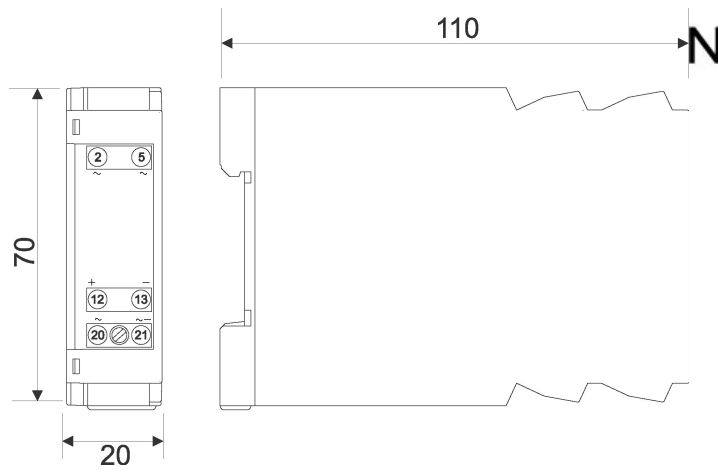


# CCE-A

Narrow section AC Current transducer

Code: M25111.

## Dimensions



## Connections

