



## CV-A-RMS Out2

---

CV-A-RMS Out2, Transducer Vac

Code: M25052.

- > Output type: 2
- > Analog output: 4...20mA
- > Measure: 300 Vac
- > Paramètre: V ~

### Description

---

The **CV-A** transducers, convert A.C voltage to D.C process indicator signal.

The analog output is directly proportional to the input signal, calibrated as a RMS with sinus signal of 50 Hz.



## CV-A-RMS Out2

A.C. Voltage transducer

Code: M25052.

### Specifications

#### AC power supply, insulation

Pulse test (kV)	4 kV (1,2/50µs)
Test voltage (kV)	3 kV RMS 50 Hz 1min

#### AC power supply

Consumption	2,5 VA
Frequency	40...90 Hz
Nominal voltage	24/115/230/400 Vca (-15...+20%)

#### DC power supply, insulation

Pulse test (kV)	3 kV (1,2/50µs)
Test voltage (kV)	2 kV RMS 50Hz 1 min

#### DC power supply

Consumption	2,5 VA
Nominal voltage	9...36 Vdc / 90...140 Vdc

#### Mechanical characteristics

Size (mm) width x height x depth	40 x 72 x 110 (mm)
Weight (kg)	0,31

#### Environmental characteristics

Protection class	IP 20 (Terminals) IP 40 (case)
Storage temperature	-40...+70 °C
Working temperature	-10...+55 °C

#### Voltage measurement circuit

Input impedance	3000 Ω/V
Frequency measuring range	45...65 Hz
Voltage measuring range	0...150 % Vn
Nominal voltage	0...300 Vca
Maximum permanent measurement voltage	1000 V

#### Standards

Electrical safety, Maximum height (m)	2000
Standards	IEC 529, IEC 688, IEC 801, EN 50081-2, EN 50082-2, IEC 1010

#### Analogue inputs

Load impedance in current	< 500 Ω
---------------------------	---------



## CV-A-RMS Out2

A.C. Voltage transducer

Code: M25052.

Ripple (effective RMS value)	< 0,5 %
Load impedance in voltage	> 500 Ω
Response time	< 300 ms (0...99 % Vn)

### Analogue outputs

Current mode, nominal range	0...20 mA
Displaced output	0,2...2 V / 2...10 V / 4...20 mA
Voltage mode: nominal output range	0...5, 10 Vac

### Measurement accuracy

Phase current measurement	0,2 % FS
---------------------------	----------

### CV-A

AC Transducer Voltage

CODE	TYPE	Output type	Analog output	Measure	Paramètre
<b>AC Voltage. Accuracy: ± 0,2 % reading, 40...90 Hz</b>					
M25041.	CV-A-AP Out1	1	0...20mA	300 Vac	V ~
M25031.	CV-A Out1	1	0...20mA	300 Vac	V ~
M25032.	CV-A Out2	2	4...20mA	300 Vac	V ~
M25051.	CV-A-RMS Out1	1	0...20mA	300 Vac	V ~
M25052.	CV-A-RMS Out2	2	4...20mA	300 Vac	V ~

-AP type: Accuracy: ± 0,5 % reading, 40...90 Hz. External auxiliary supply not required. Specify: Zero value, full scale and output type.

For other values, see coding table on following pages

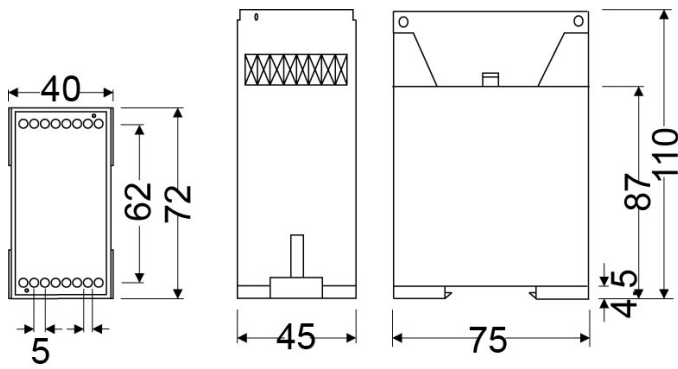


## CV-A-RMS Out2

A.C. Voltage transducer

Code: M25052.

### Dimensions



### Connections

