



CV-A-AP Out1

CV-A-AP Out1, Transducer Vac

Code: M25041.

- > Output type: 1
- > Analog output: 0...20mA
- > Measure: 300 Vac
- > Paramètre: V ~

Description

The **CV-A** transducers, convert A.C voltage to D.C process indicator signal.

The analog output is directly proportional to the input signal, calibrated as a RMS with sinus signal of 50 Hz.



CV-A-AP Out1

A.C. Voltage transducer

Code: M25041.

Specifications

AC power supply, insulation

Pulse test (kV)	5 kV (1,2/50µs)
Test voltage (kV)	4 kV RMS 50 Hz 1min

AC power supply

Consumption	2,5 VA
Frequency	45...65 Hz
Nominal voltage	24/115/230/400 Vca

Mechanical characteristics

Size (mm) width x height x depth	40 x 72 x 110 (mm)
Weight (kg)	0,26

Environmental characteristics

Protection class	IP 20 (Terminals) IP 40 (case)
Storage temperature	-40...+70 °C
Working temperature	-10...+60 °C

Voltage measurement circuit

Frequency measuring range	45...65 Hz
Voltage measuring range	30...100% Vn
Nominal voltage	24/115/230/400 V~

Analogue inputs

Load impedance in current	< 500 Ω
Ripple (effective RMS value)	< 0,5 %
Load impedance in voltage	> 500 Ω
Response time	< 300 ms (0...99 % Vn)

Standards

Standards	IEC 529, IEC 688, IEC 801, EN 50081-2, EN 50082-2, IEC 1010
-----------	---

Analogue outputs

Current mode, nominal range	0...10, 20 mAac
Voltage mode: nominal output range	0...5, 10 Vac

Measurement accuracy

Phase current measurement	0,5 % FS
---------------------------	----------



CV-A-AP Out1

A.C. Voltage transducer

Code: M25041.

CV-A

AC Transducer Voltage

CODE	TYPE	Output type	Analog output	Measure	Paramètre
AC Voltage. Accuracy: $\pm 0,2$ % reading, 40...90 Hz					
M25041.	CV-A-AP Out1	1	0...20mA	300 Vac	V ~
M25031.	CV-A Out1	1	0...20mA	300 Vac	V ~
M25032.	CV-A Out2	2	4...20mA	300 Vac	V ~
M25051.	CV-A-RMS Out1	1	0...20mA	300 Vac	V ~
M25052.	CV-A-RMS Out2	2	4...20mA	300 Vac	V ~

-AP type: Accuracy: $\pm 0,5$ % reading, 40...90 Hz. External auxiliary supply not required. Specify: Zero value, full scale and output type.

For other values, see coding table on following pages

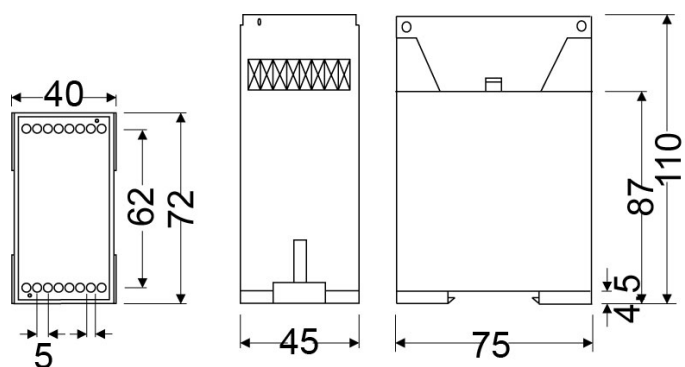


CV-A-AP Out1

A.C. Voltage transducer

Code: M25041.

Dimensions



Connections

